

Technical Specifications

Sit-to-Stand Workstation

Desk Clamp

General Features

Maximum load and desk depth:

28.6lb (13.0KG)

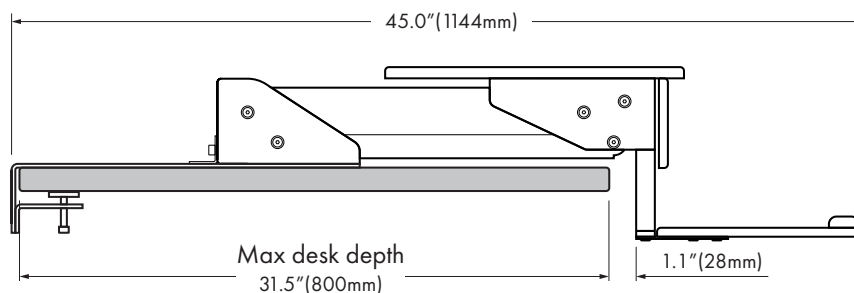
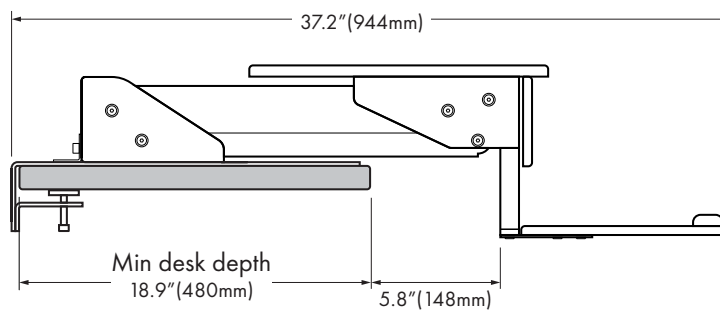
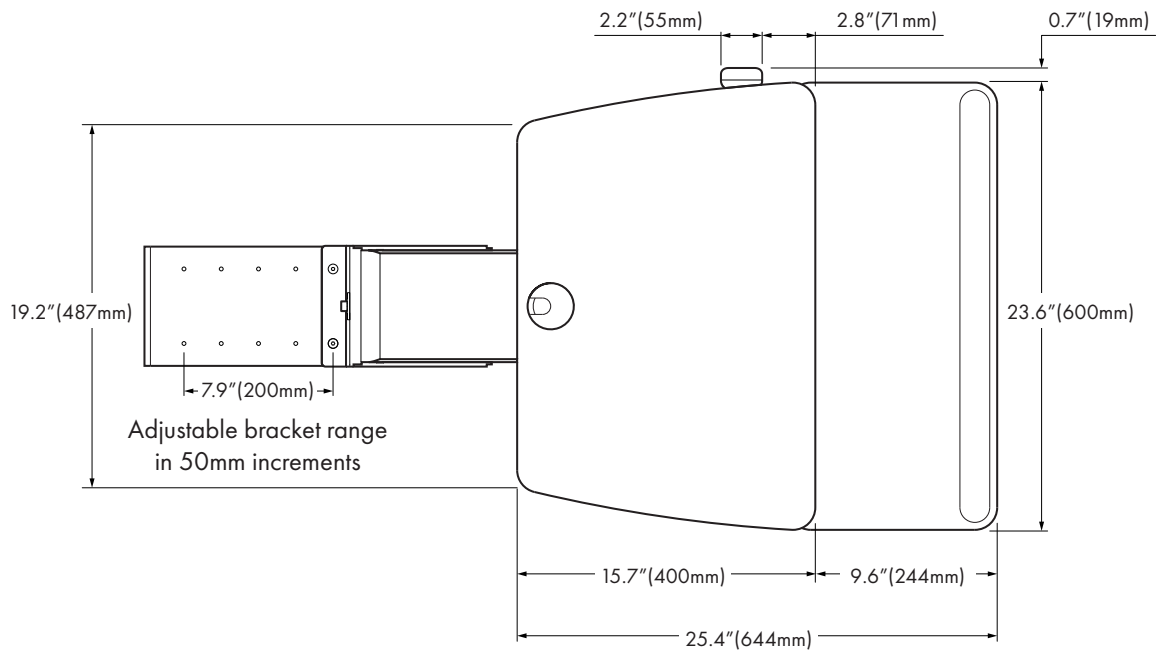
Maximum supported desk depth: 31.5"

Included hardware:

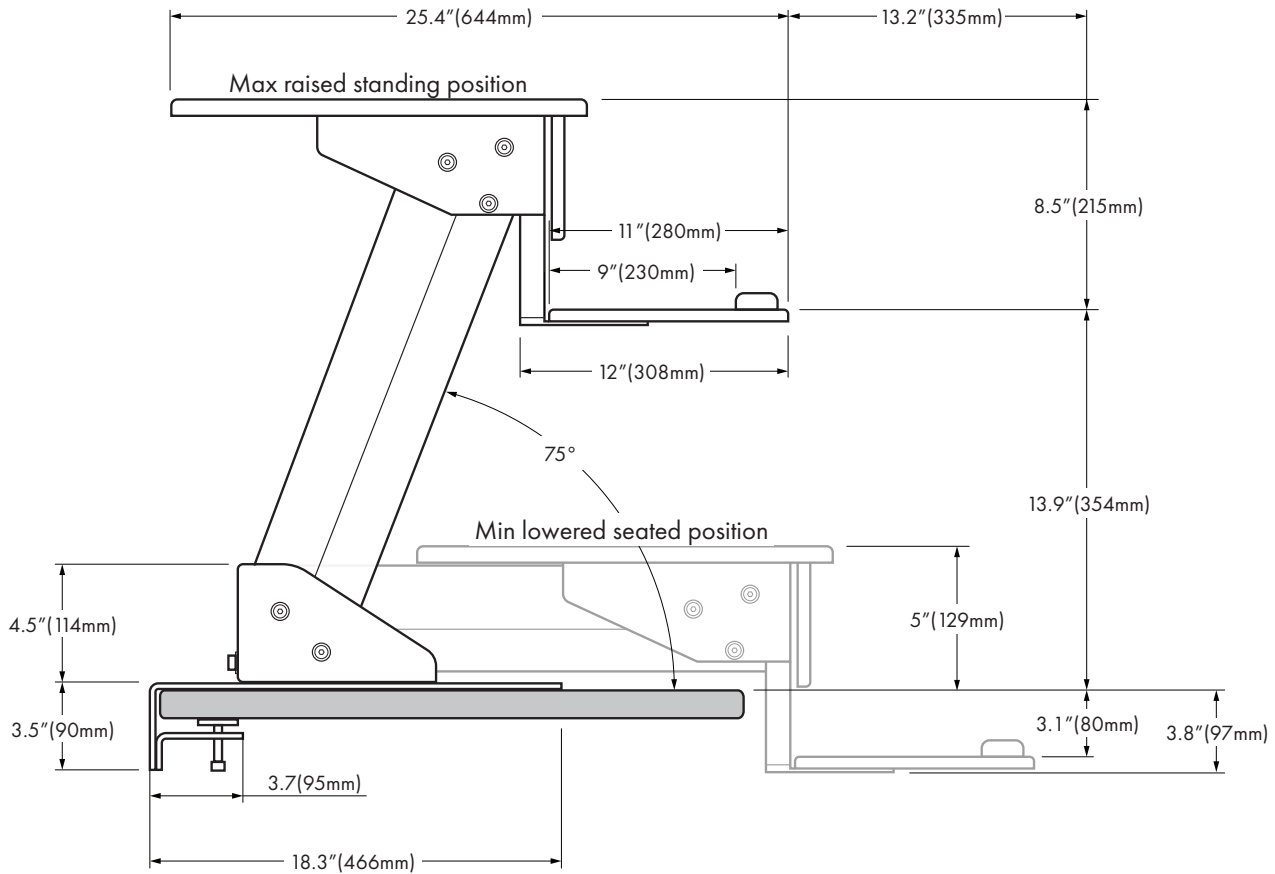
All fasteners and hardware included.

- Keyboard Tray
- Cable Management through worksurface
- Minimal desk footprint
- Supports all AF- and AWM- monitor mounts (within specified load capacity)

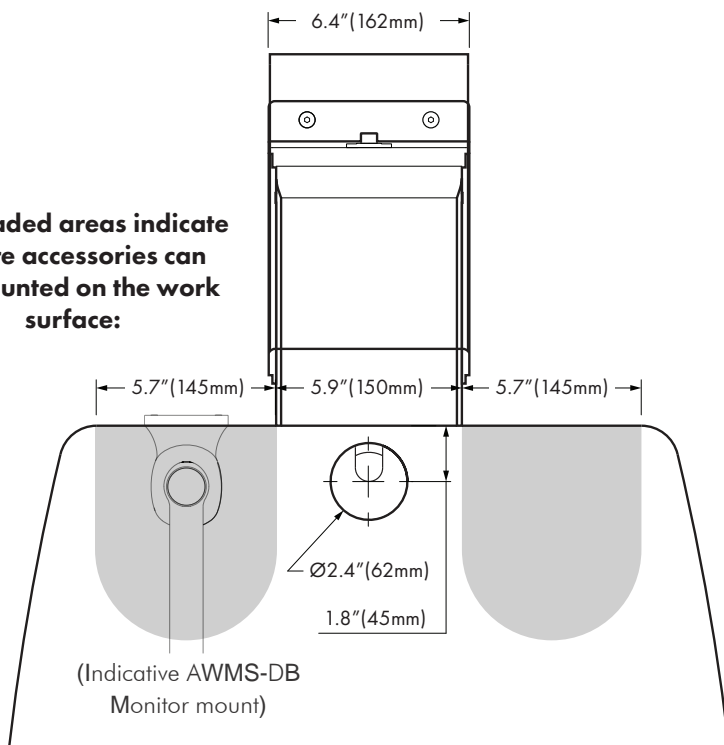
Dimensions



Dimensions



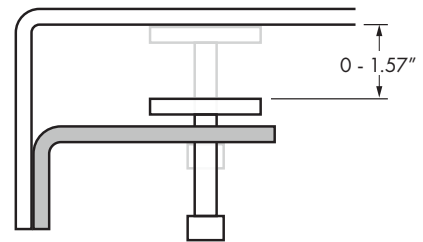
The shaded areas indicate where accessories can be mounted on the work surface:



Desk Clamp Thickness Range

Option 1

For desk thickness less than 1.57" (40mm)



Option 2

For desk thickness 1.57" - 2.95" (40 - 75mm)

