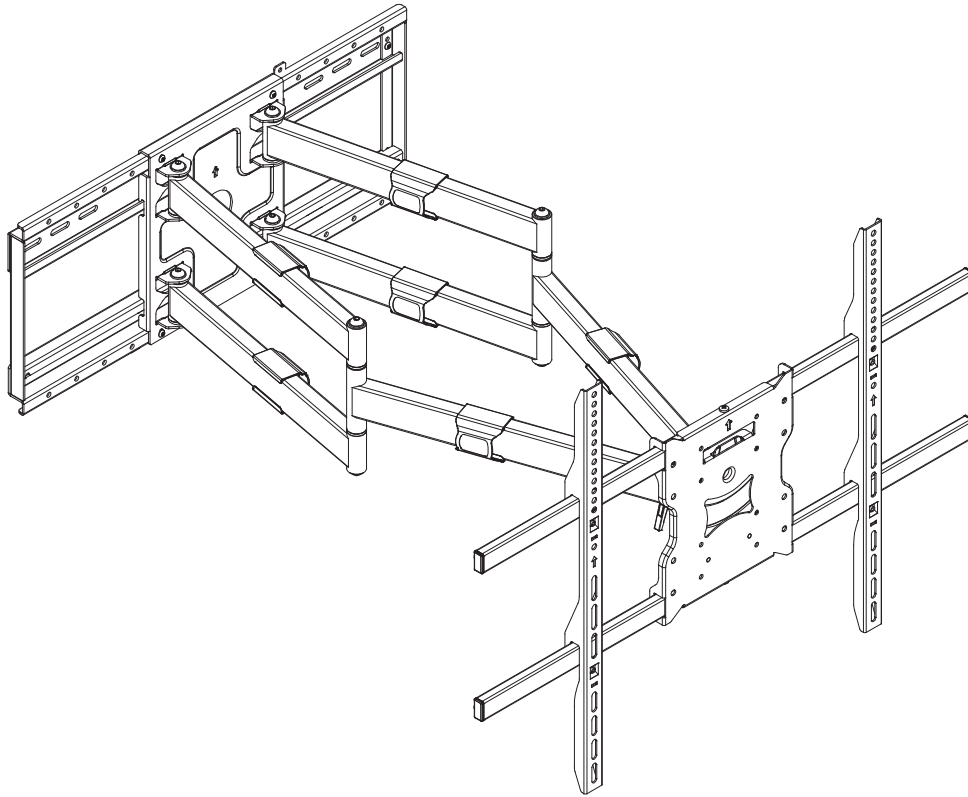


Full Motion Wall Mount 9080



FEATURES

- Robust construction to support large and heavy displays
- Extra-long arms for enhanced flexibility in viewing angle selection
- Designed for precise display positioning with provision to laterally shift arms horizontally on wall plate during installation
- Provides for optimum viewing with tool-free upward and downward tilt angle adjustment
- Cable management clips supplied for a safe and tidy installation
- Suitable for installation on most types of wall construction when paired with appropriate hardware (wall mounting hardware not included)
- Supplied with display mounting hardware and installation guide

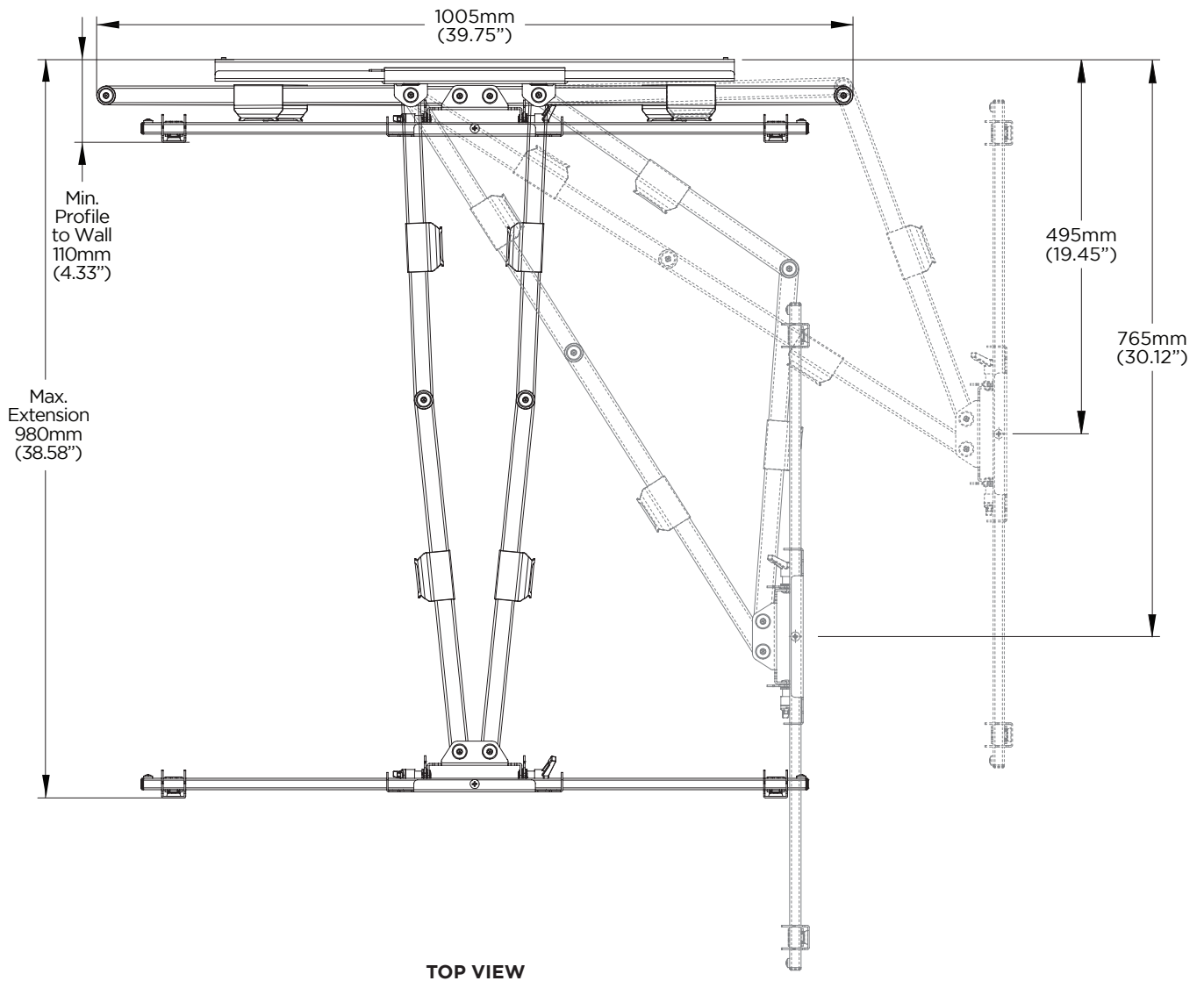
Display weight	0 - 90.7kg (0 - 200lb)*
Display size	50" - 100"
Tilt adjustment	+5° / -10°
Pan adjustment	+/- 90°
Rotation adjustment	+/- 5°
Lateral shift adjustment	+/- 200mm (7.9")
Min. profile to wall	110mm (4")
Max. extension	980mm (39")
VESA mounting	100x100 100x200 200x100 200x200 Universal; 300x100 - 800x600
Primary material	Steel

*Curved displays, deep devices, VESA mounted accessories (such as mini PC brackets and mounts), and offset VESA locations exert additional leverage that can exceed the capacity of the mount even though the display weight may be within the stated range. Please contact Atdec if you would like further information.

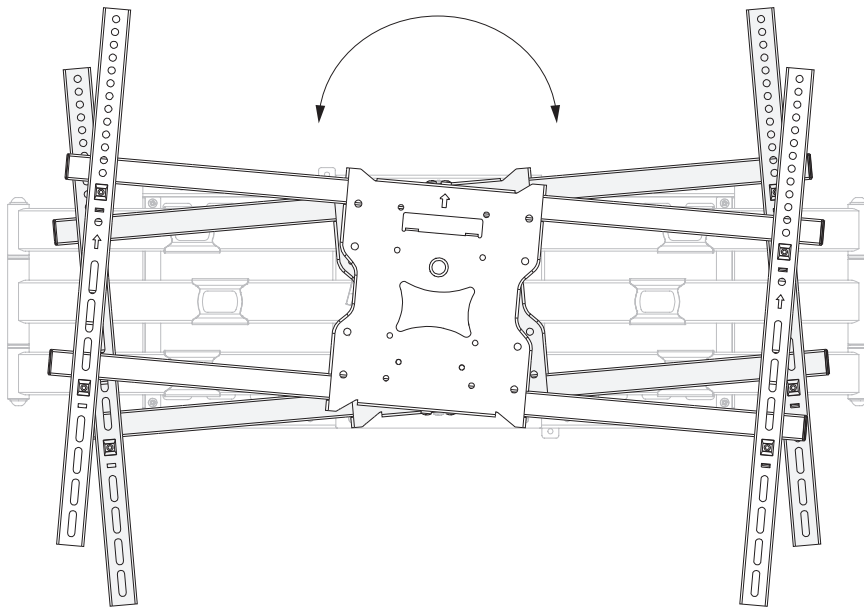
WARRANTY

10 years limited

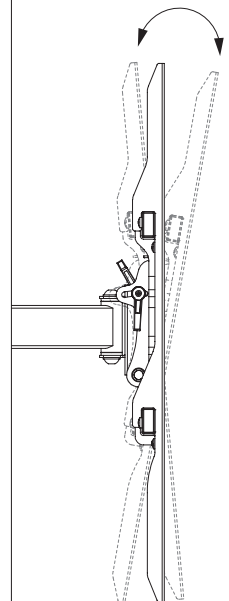
MOVEMENT



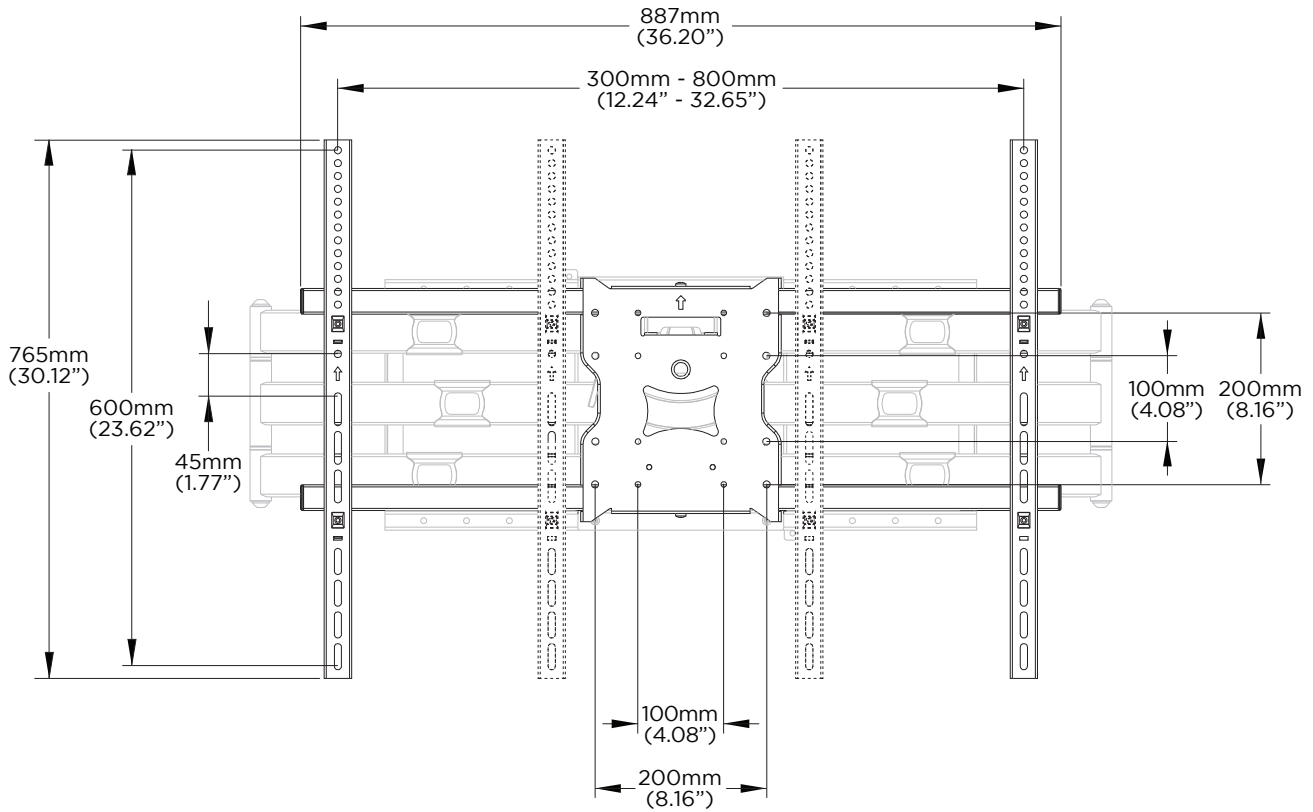
Rotation adjustment
 $\pm 5^\circ$



Tilt adjustment
 $+5^\circ / -10^\circ$



VESA DISPLAY BRACKET DIMENSIONS



WALL PLATE DIMENSIONS

