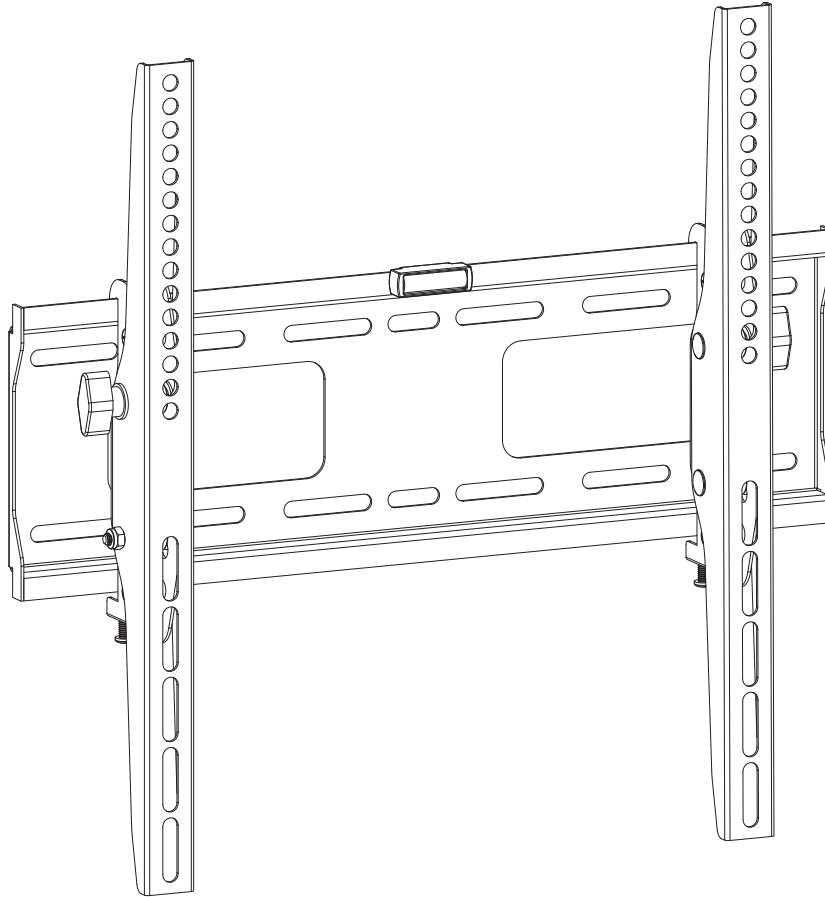


Tilt Wall Mount 5040



FEATURES

- Provides for optimum viewing with tool-free forwards and backwards tilt angle adjustment
- Designed for precise display positioning with provision to adjust display alignment horizontally on wall plate
- Designed for easy installation with supplied spirit level and slotted mounting holes for alignment
- Suitable for installation on most types of wall construction when paired with appropriate hardware (wall mounting hardware not included)
- Supplied with display mounting hardware and installation guide

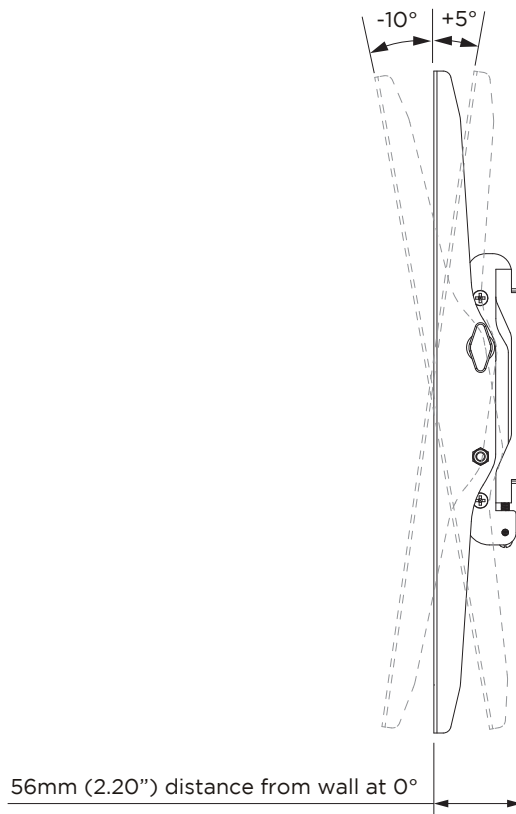
Display weight range	0 - 50kg (0 - 110lb)*
Tilt adjustment range	-10° to +5°
VESA mounting	100 x 100 to 400 x 400

*Curved monitors, deep devices (such as all-in-one PCs), VESA mounted accessories (such as mini PC brackets and mounts), and offset VESA locations exert additional leverage that can exceed the capacity of the mount even though the monitor weight may be within the stated range. Please contact Atdec if you would like further information.

WARRANTY

10 years limited

MOVEMENT



DIMENSIONS

