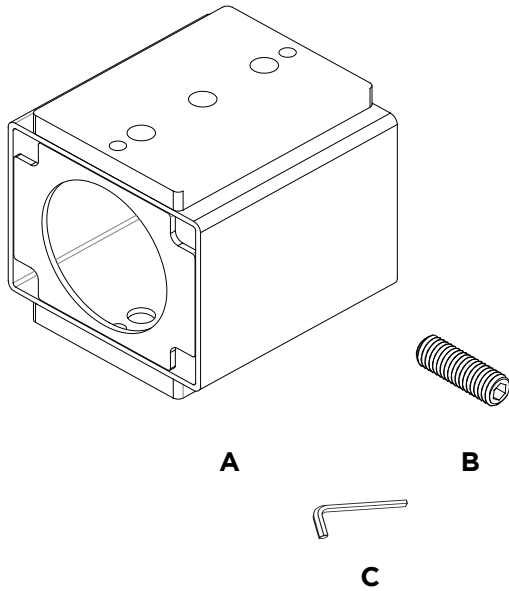


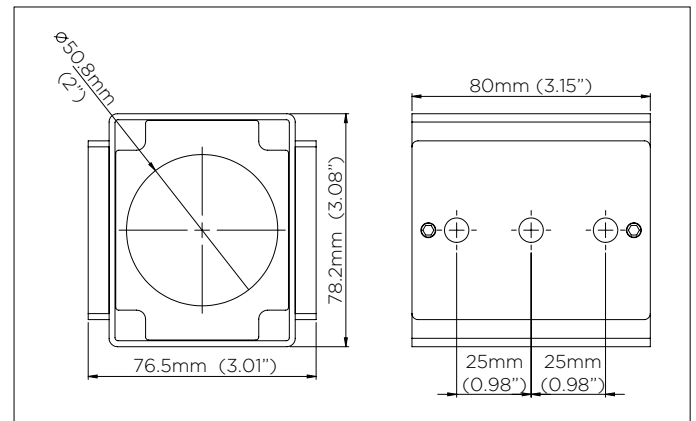
Pole Drill Template

COMPONENT CHECKLIST

Item	Name	QTY
A	Pole Drill Jig	1
B	M6 x 16 Grub Screw	4
C	3mm Allen Key	1

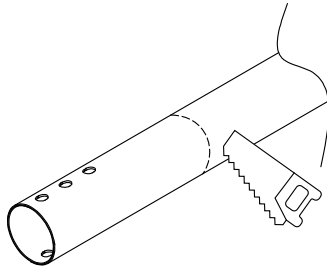


PRODUCT DIMENSIONS

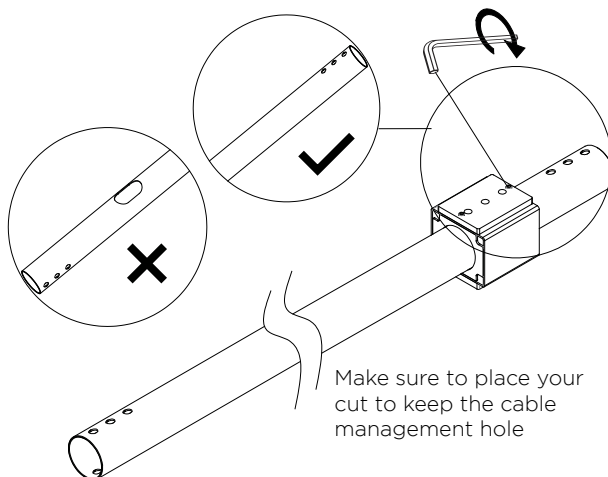


INSTALLATION INSTRUCTION

1. Cut tube to desired length



2. Fix in place on tube



3. Drill new mount holes

