

## Accessory Arm

### Mounting Options

The product is designed to be installed on an existing AF range pole mount

### Display Mounting Options

Suits 100mm x 100mm mounting hole pattern

### Display Weight Compatibility

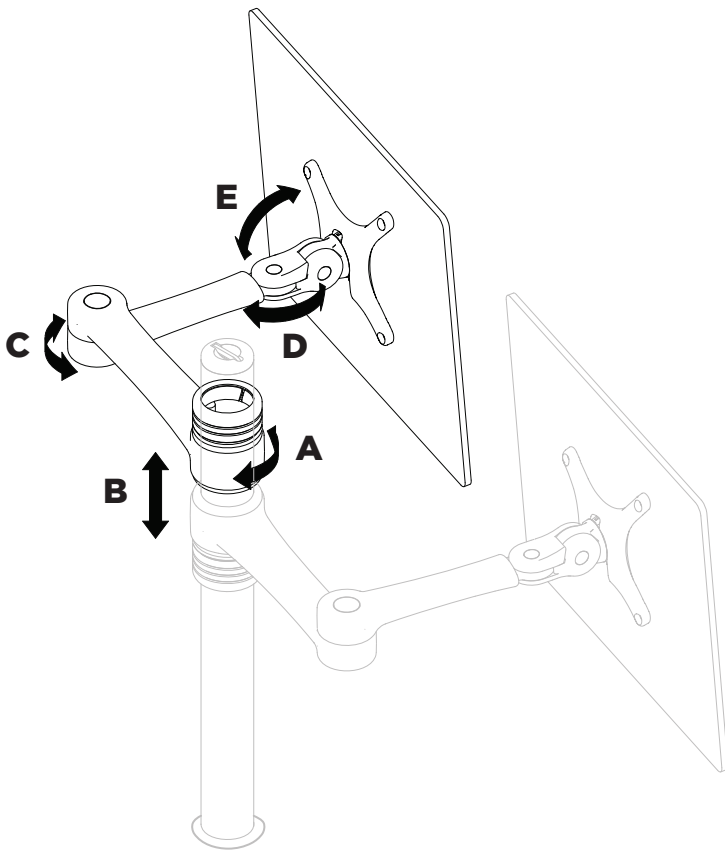
Max. 8kg (17.6lbs)

### Consist of

Monitor Arm  
Fasteners  
Mounting Hardware

### Warranty

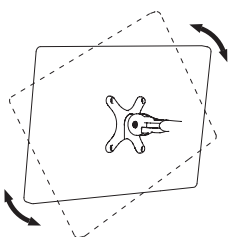
10 years limited



<b>A</b>	360° rotation around mounting pole/ 180° with rotation limiter
<b>B</b>	430mm (16.9") height adjustment range
<b>C</b>	360° articulation of arms
<b>D</b>	Pan 180°
<b>E</b>	Tilt ± 70°
<b>F</b>	± 95° Portrait/ Landscape Adjustment

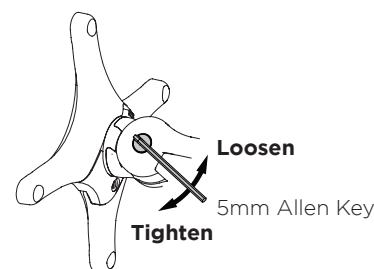
Pole and arm assembly shown for reference only.

### Portrait/ Landscape



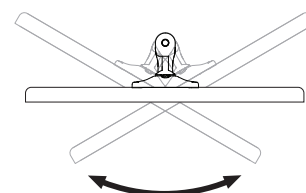
No Allen Key necessary

### Tilt (Screen angle up/down)



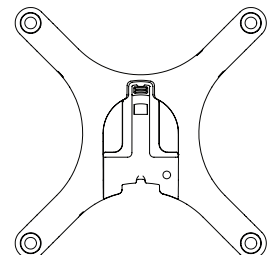
Note: Support Screen when adjusting tilt.

### Pan (Screen angle left/right)

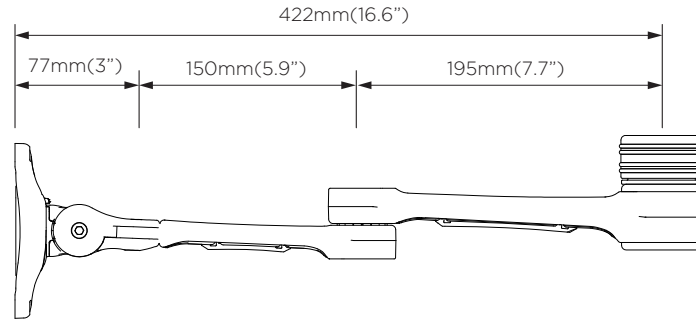


No Allen Key necessary

### 100mm x 100mm VESA hole pattern



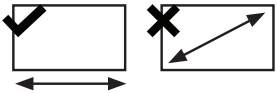
# Dimensions



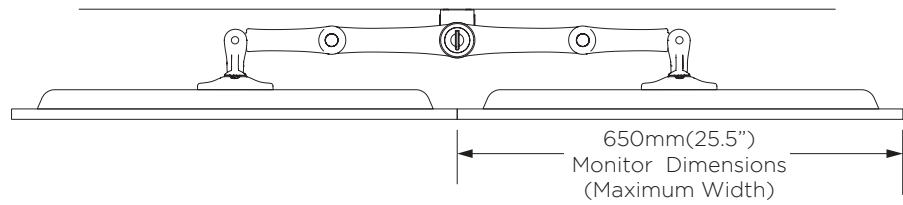
# Dual configuration

**Note:**

- 1. All dimensions are dependant on the size and shape of the monitor used.
- 2. Monitor Dimensions (Maximum Width) relates to the actual width of a monitor not the diagonal viewing size.



Monitor Flat



Monitor Angled

