

# Single Arm Desktop Monitor Mount - C Clamp

### Mounting Options

Arm includes Bolt Through and Desk Clamp mounting options.

### Desk clamp

Suits desktop thicknesses of 10mm-34mm (3/8"-1,1/4")

### Bolt Through

Suits desktop thicknesses of 12-40mm (0.5"-1.5")

### Display Mounting Options

Suits 100x100mm and 75x75mm mounting hole patterns

### Display Weight Compatibility

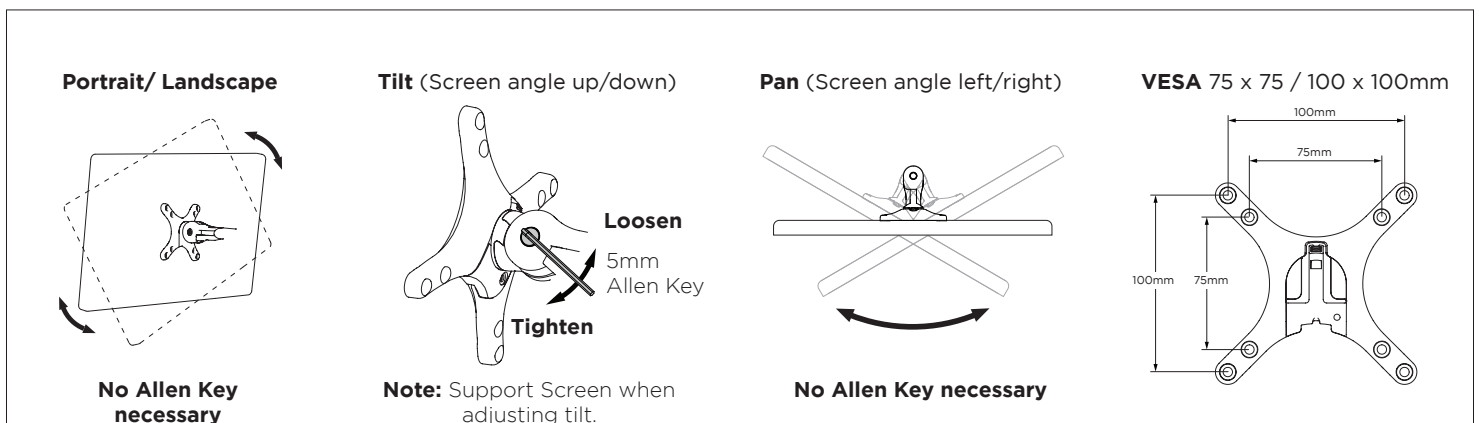
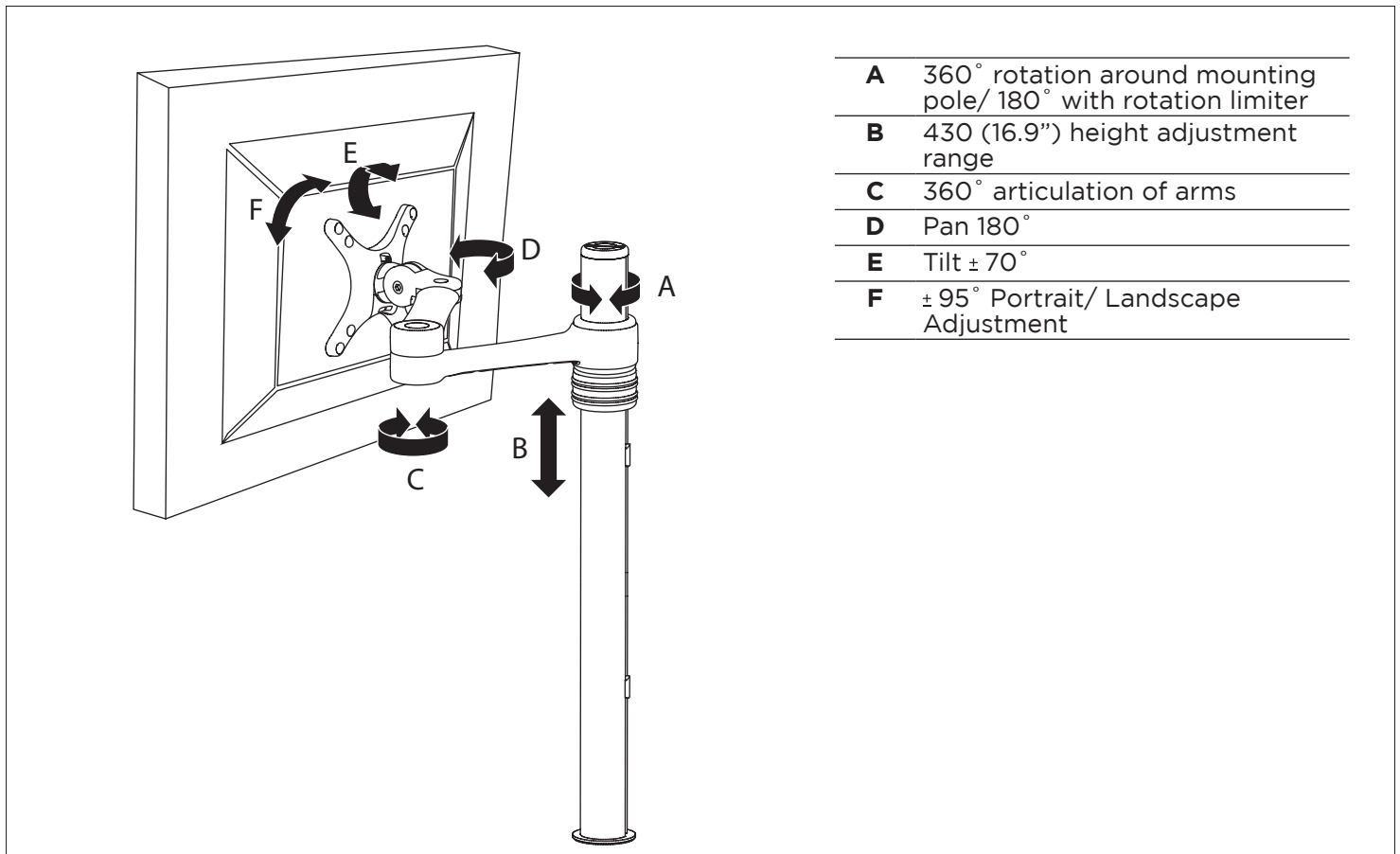
Max. 8Kg (17.5lbs)

### Consist of

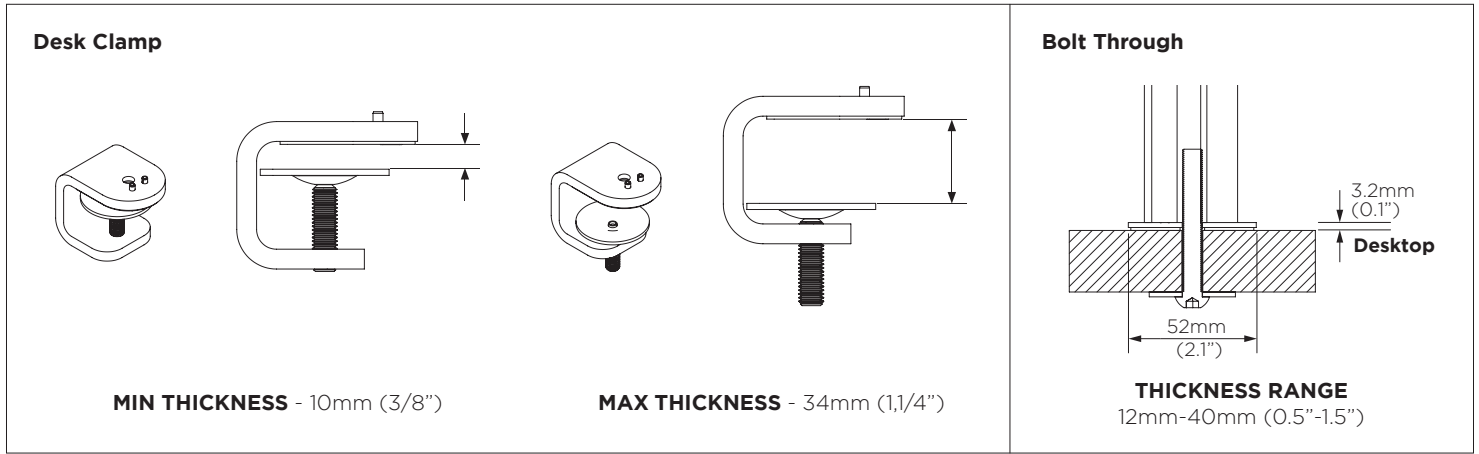
Monitor Arm  
Fasteners  
Mounting Hardware

### Warranty

10 years limited



# Mounting Options



# Overall Dimensions

