

Micro Desktop Monitor Mount

Mounting Options

Micro desktop monitor mount includes bolt through and desk clamp mounting options

Desk clamp

Suits desktop thicknesses of 0-76mm (0"-3")

Bolt Through

Suits desktop thicknesses of 12-40mm (0.5"-1.5")

Display Mounting Options

VESA 75 x 75mm

VESA 100 x 100mm

Display Weight Compatibility

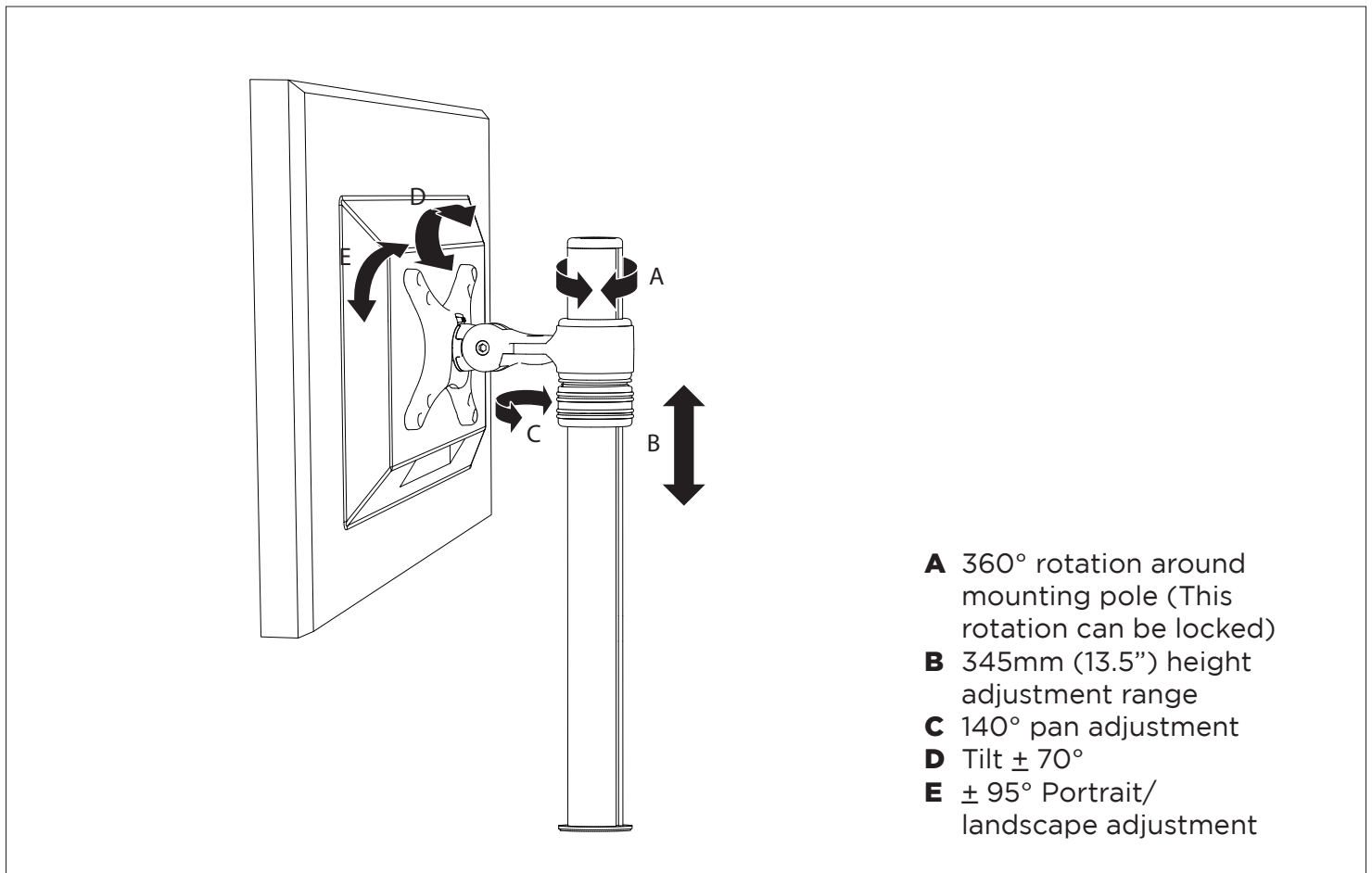
Max. 8kg (17.6lbs)

Consist of

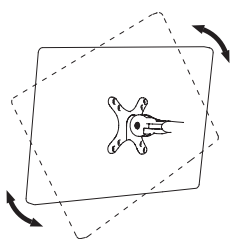
Micro arm
Fasteners
Mounting hardware

Warranty

10 years limited

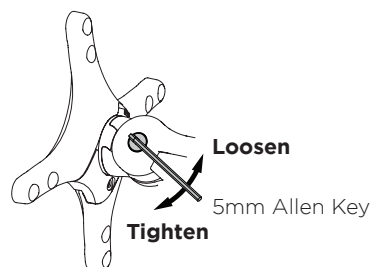


Portrait/ Landscape



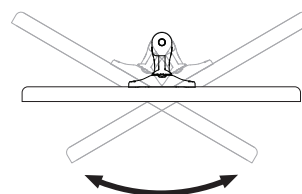
No Allen Key

Tilt (Screen angle up/down)



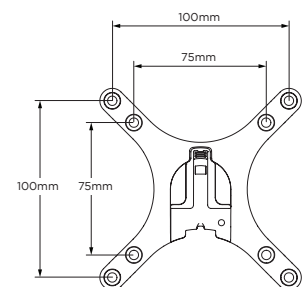
Note: Support Screen when adjusting tilt.

Pan (Screen angle left/right)

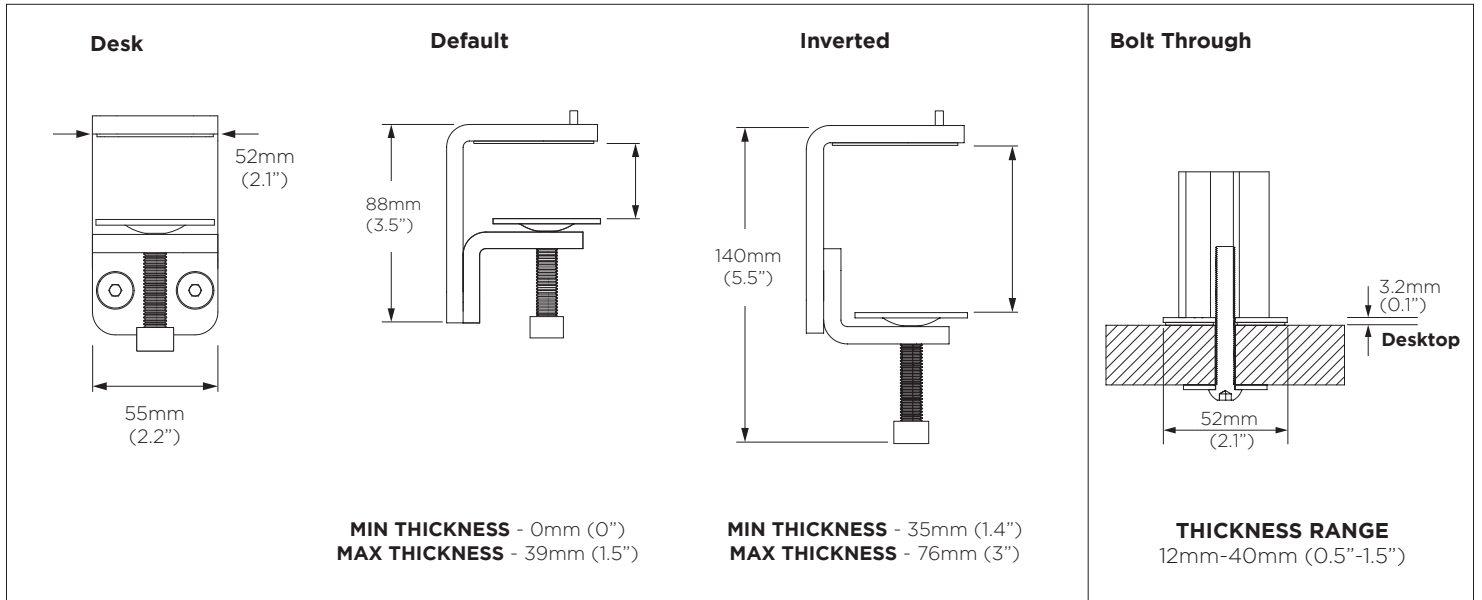


No Allen Key necessary

VESA 75 x 75 / 100 x 100mm



Mounting Options



Overall Dimensions

