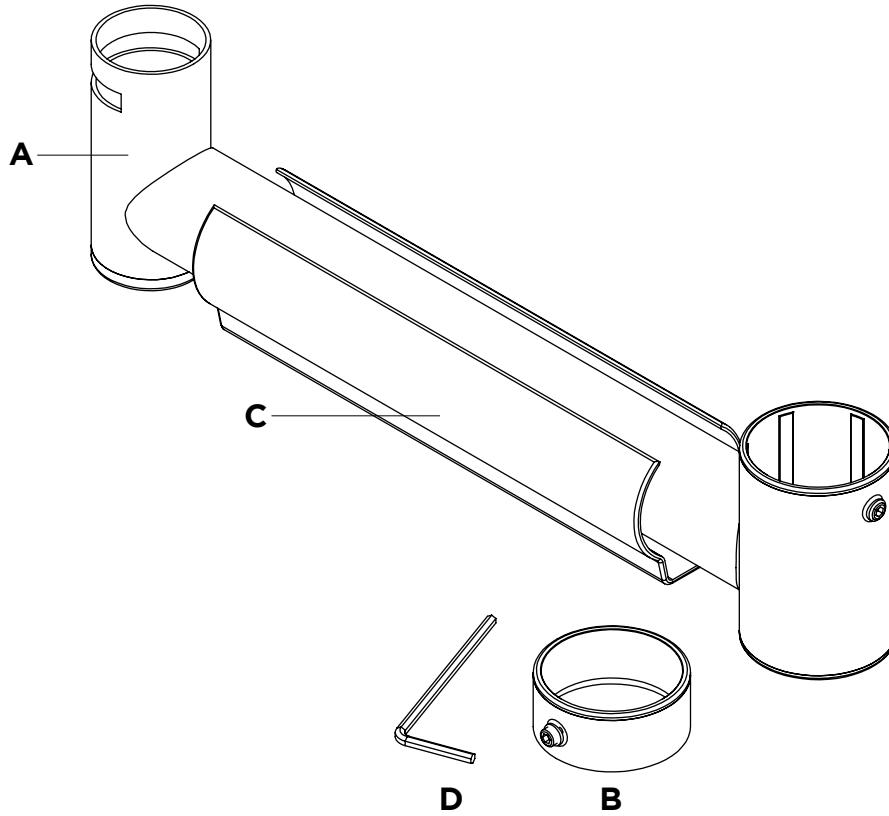


POS Arm 300



COMPONENT CHECKLIST

Item	Name	QTY
A	Arm 300mm	1
B	Fixing Ring	1
C	Cable Clip 120mm	1
D	3mm Allen Key	1