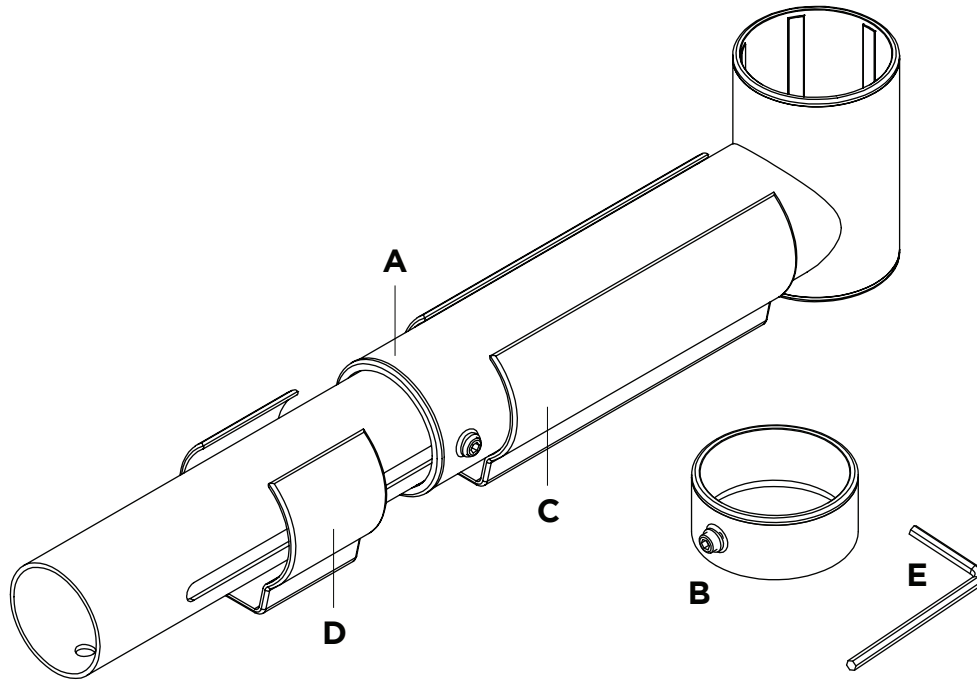


# POS Keyboard Arm Extendable



## COMPONENT CHECKLIST

Item	Name	QTY
A	Keyboard Arm Extendable	1
B	Fixing Ring	1
C	Cable Clip 120mm	1
D	Cable Clip 40mm	1
E	3mm Allen Key	1