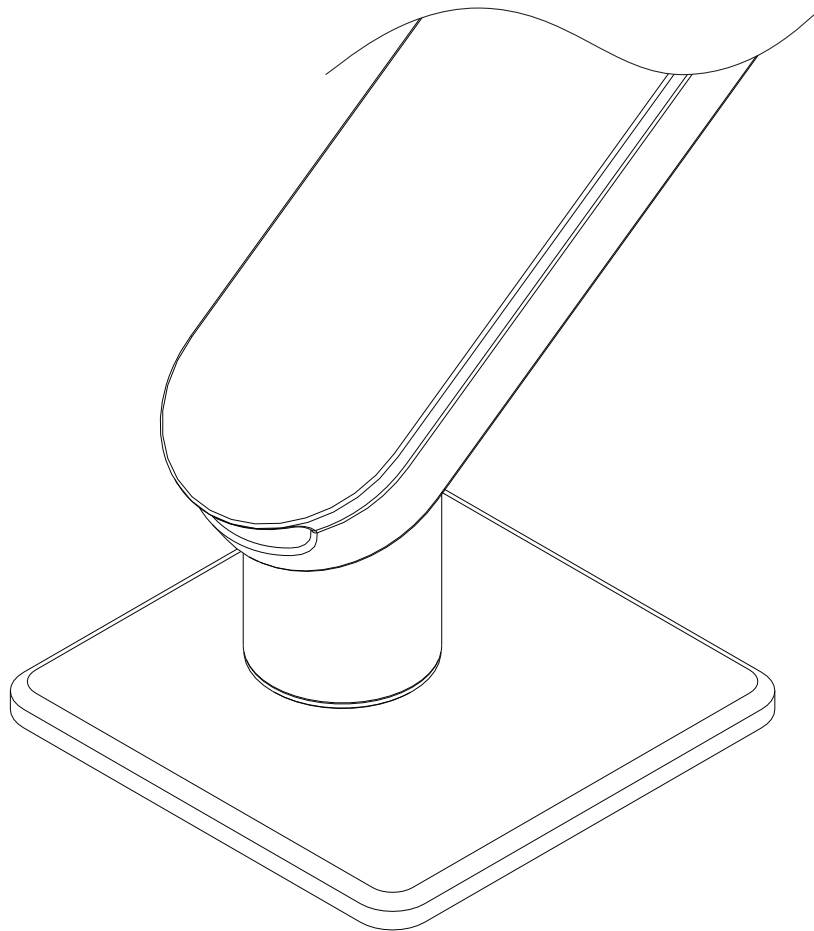


Ora Bolt Through Fixing



FEATURES

- Bolt through or grommet fixing for Ora monitor arm range
- Compatible with grommet hole sizes from 60-80mm (2.4 - 3.1")

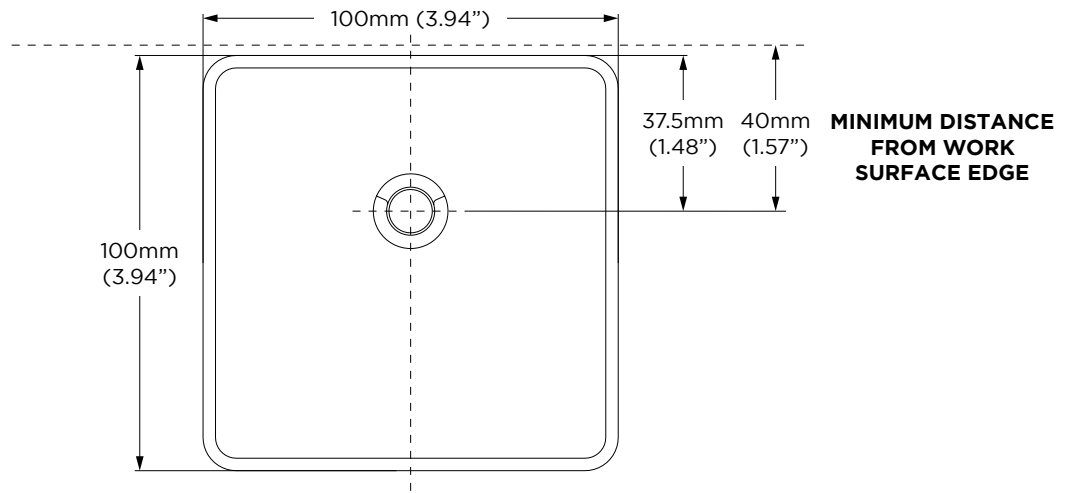
Pan movement
Desk thickness

180°/360°
0-55mm (0-2.2")

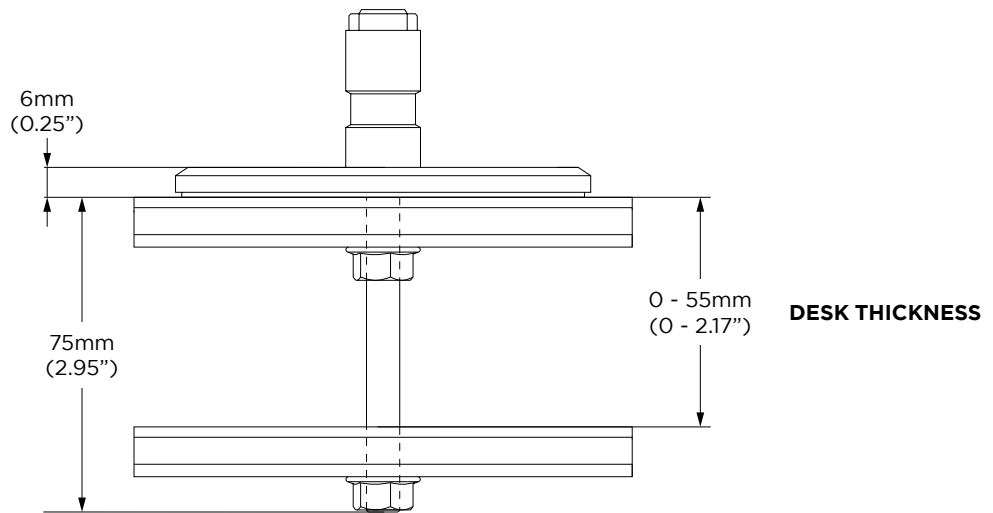
WARRANTY

10 years limited

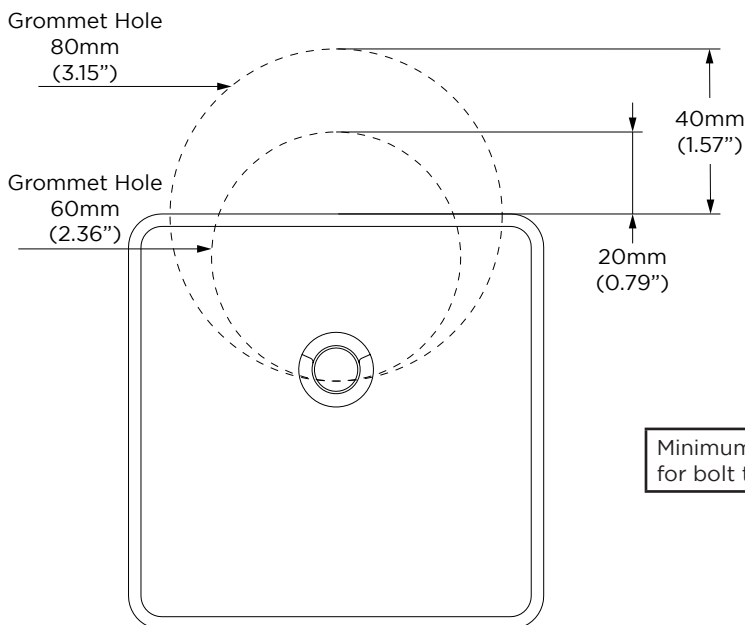
DIMENSIONS



TOP VIEW



FRONT VIEW



Minimum clearance hole size for bolt through fixing	9mm (3/8")
---	------------