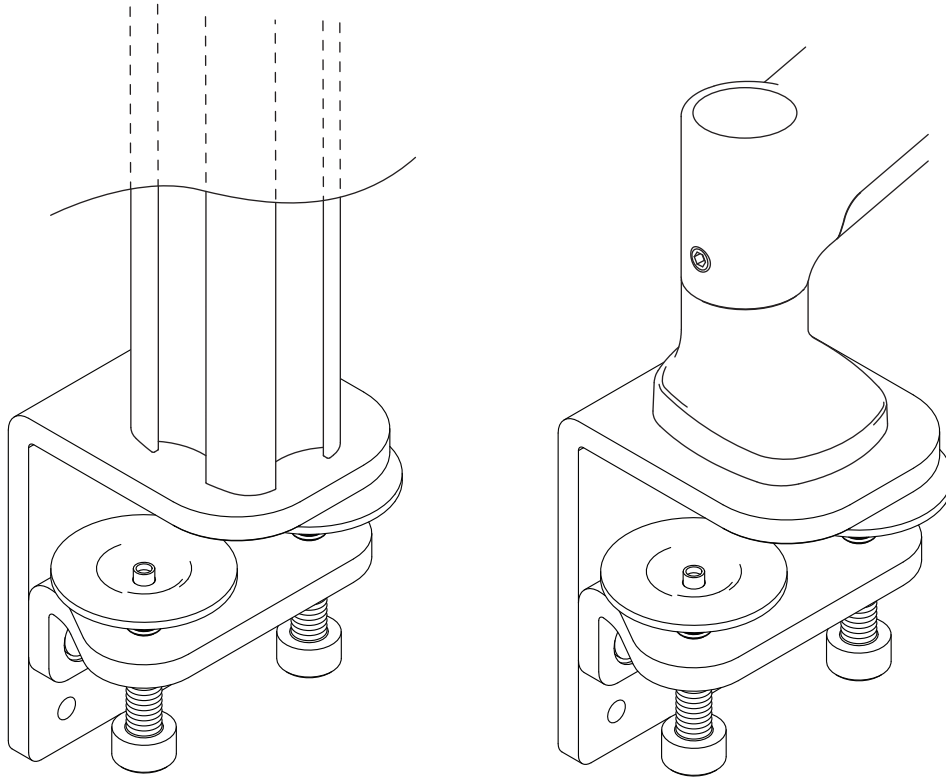
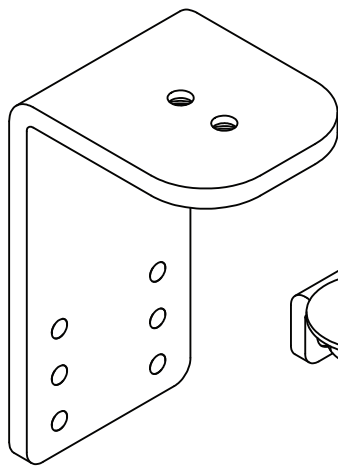


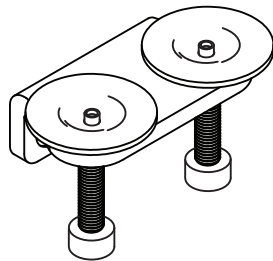
Heavy Duty F Clamp



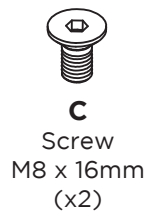
COMPONENT CHECKLIST



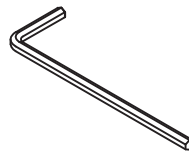
A
Upper Clamp
(x1)



B
Lower Clamp
(x1)



C
Screw
M8 x 16mm
(x2)



D
5mm
Allen key
(x1)



REQUIRED TOOLS

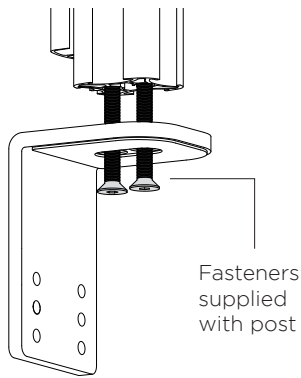
- All tools provided

IMPORTANT INFORMATION

- ! Please ensure this product is installed as per these installation instructions.
- ! This product is compatible with Atdec AWM Series products.
- ! The manufacturer accepts no responsibility for incorrect installation.

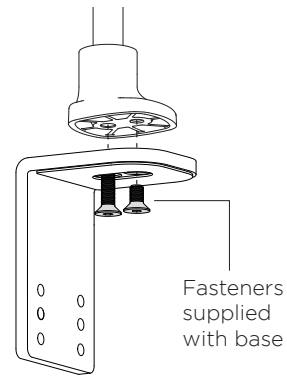
1. Attach post or base to upper clamp

1.1 Option A - Attach post to upper clamp



Note: post sold separately

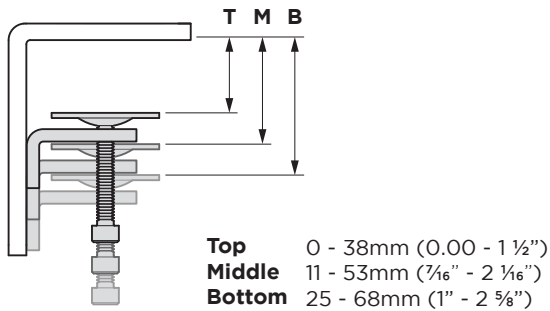
1.2 Option B - Attach base to upper clamp



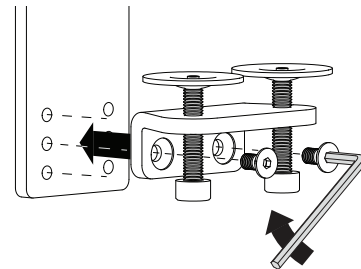
Note: base sold separately

2. Attach lower clamp to upper clamp

2.1 Measure the worksurface thickness and choose the suitable lower clamp position



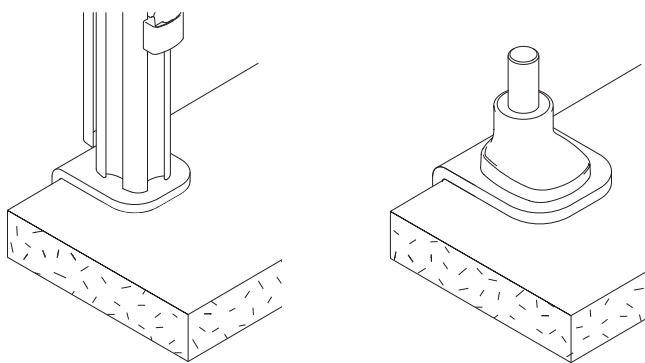
2.2 Attach lower clamp to upper clamp in the suitable position using the two provided screws.



Note: If there is only a small gap behind the worksurface, perform **Step 3.1** before this step.

3. Fit fixing to work surface

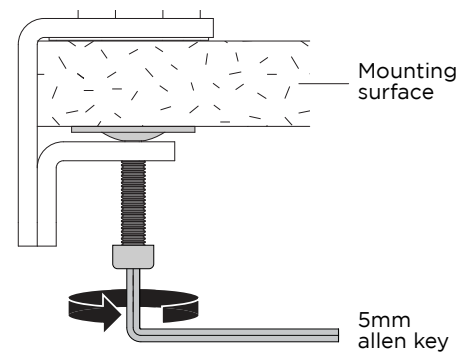
3.1 Place in desired location on worksurface



Post Installation

Base Installation

3.2 Screw in both pressure plates and tighten evenly and firmly



Mounting surface

5mm allen key