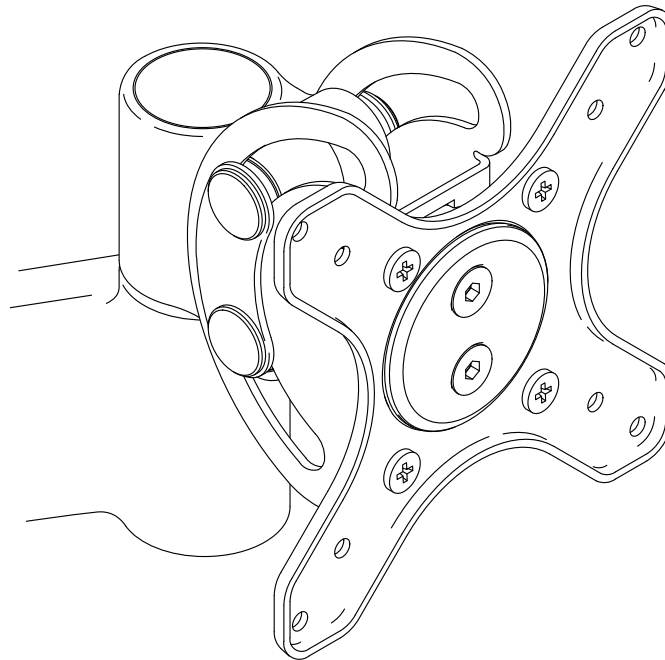
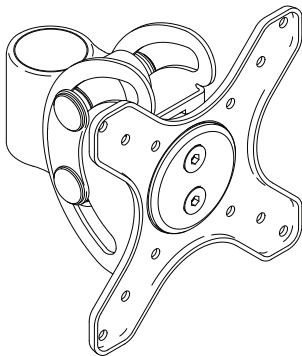


Heavy Duty VESA Tilt Head



COMPONENT CHECKLIST



A
Heavy Duty
Tilt Head
(x1)



B
Screw
M4x25mm
(x4)



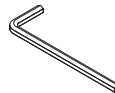
C
Screw
M4x16mm
(x4)



D
Screw
M4x12mm
(x4)



E
Spacer
(x4)



F
4mm
allen key
(x1)



G
Rotation
Security
Screw
M5x16mm
(x4)

Desk 

REQUIRED TOOLS

- Phillips Head Screwdriver

WEIGHT RANGE

Flat Monitors

0 - 18kg
(0 - 40lbs)

Curved Monitors

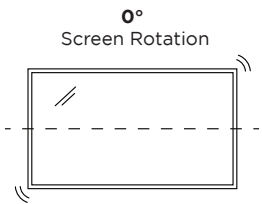
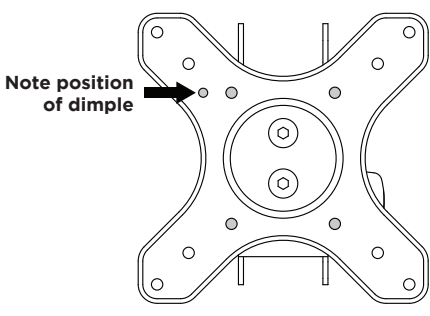
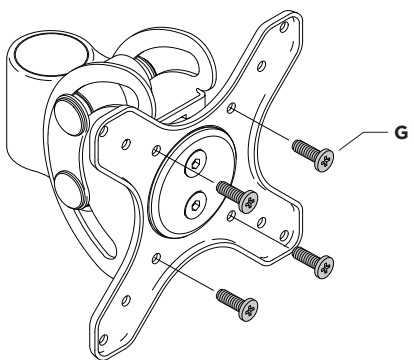
0 - 12kg
(0 - 26.5lbs)

Monitor weight should be within the weight range of all modular elements that make up the complete monitor mounting solution.

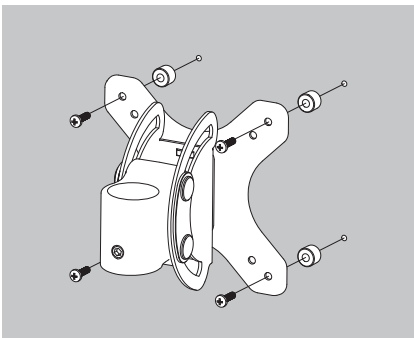
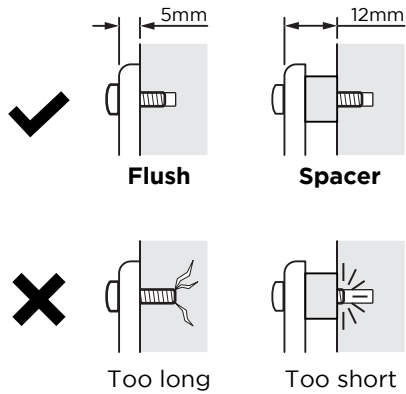
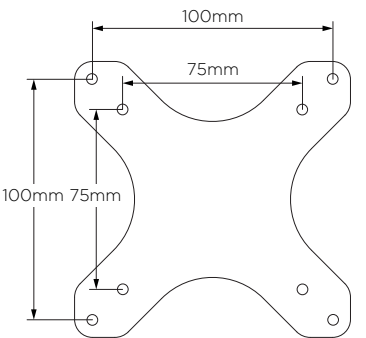
IMPORTANT INFORMATION

- ! Please ensure this product is installed as per these installation instructions.
- ! Do not remove/ throw away the plastic cap on the channel clamp, arm and or arm base.
- ! Curved monitors, deep devices (such as all-in-one PCs) and offset VESA locations exert additional leverage that can exceed the capacity of the mount even though the monitor weight may be within the stated range.
- ! The manufacturer accepts no responsibility for incorrect installation.
- ! This product is compatible with AWM Series monitor arm products: AWM-AHX, AWM-LC, AWM-A46 & AWM-A71.

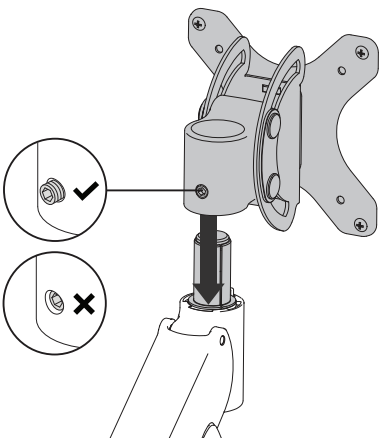
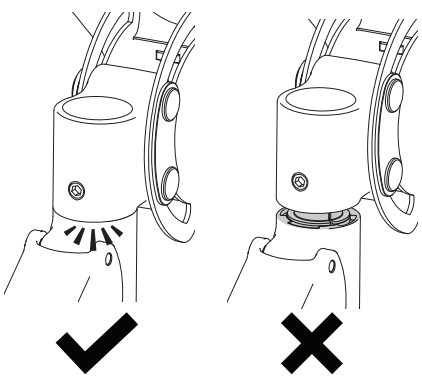
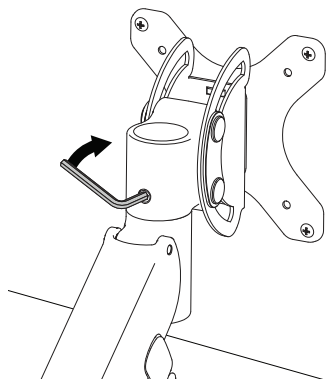
1. OPTIONAL Lock monitor rotation

<p>OPTIONAL To lock monitor rotation screw the four M5x16 screws into the four holes on the front of the VESA Head.</p> 	<p>1.1 Ensure VESA Plate is in this orientation before installing screws.</p> 	<p>1.2 Install the four Rotation Security Screws (G) into the front of the VESA Head</p> 
--	--	---

2. Attach VESA head to monitor

<p>2.1 Screw the VESA head onto monitor</p>  <p>Note: Spacers may be required for curved, recessed or uneven monitor surfaces.</p>	<p>2.2 Ensure suitable screw size is used.</p> 	<p>2.3 VESA mounting compatibility</p>  <p>Note: For other sizes, use a suitable adaptor plate</p>
--	---	--

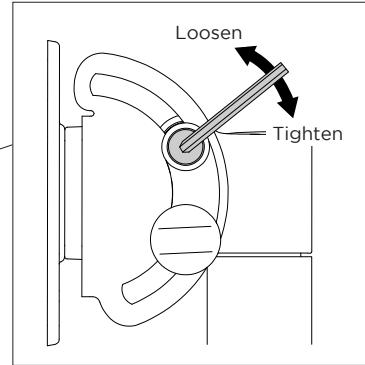
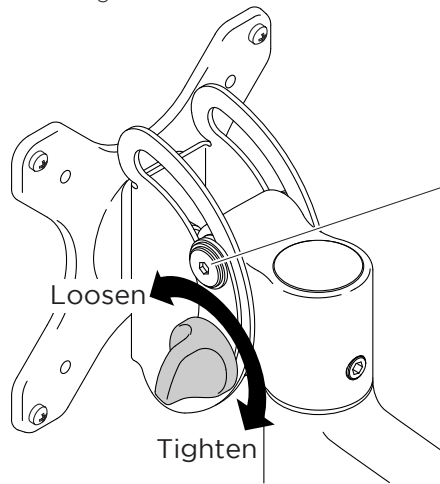
3. Mount monitor onto arm

<p>3.1 Push tilt head onto the shaft at the end of the monitor arm, grub screw must be backed off at this time.</p>  <p>NOTE: Ensure plastic sleeve is on shaft before fitting tilt head.</p>	<p>3.2 Ensure tilt head is fully pushed onto shaft.</p> 	<p>3.3 Tighten the joint screw with 4mm allen key to secure the tilt head and monitor in place.</p>  <p>NOTE: Check the head pan adjustment is smooth after tightening.</p>
--	---	--

4. Adjust tilt tension

4.1 Use the knob to tighten and loosen the tilt tension to suit your monitor weight.

NOTE: Always support the monitor whilst adjusting to prevent it from falling forward sharply.

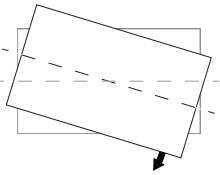


IMPORTANT

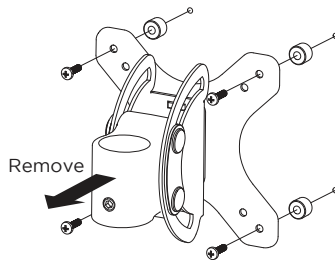
If extra tilt tension is required for your monitor, use 4mm allen key to tighten second tilt screw.

5. Adjust rotation tension (Optional)

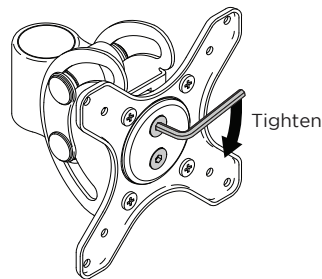
NOTE: In most cases, monitor should balance in a level position with factory settings. If it droops to one side follow these steps to adjust the rotation tension.



5.1 Remove VESA head from monitor.



5.2 Tighten the two screws on the front of the VESA plate using 4mm allen key.



5.3 Re-attach VESA head to monitor as per **Step 1**.

