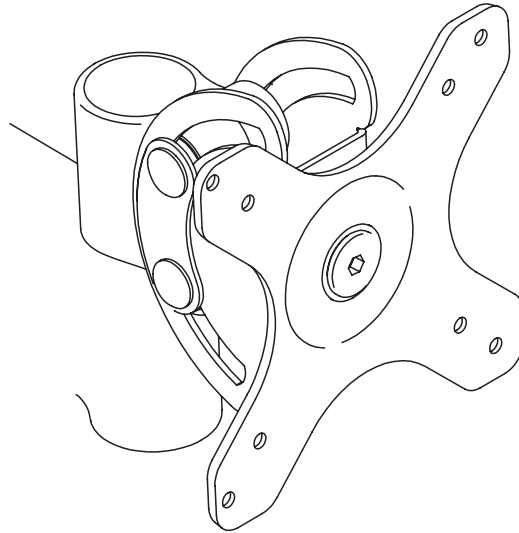
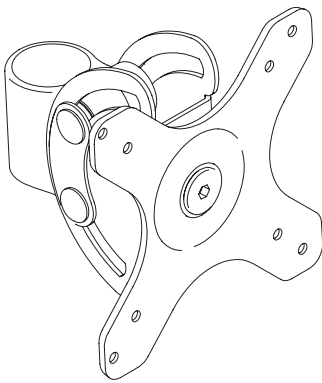


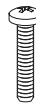
## Heavy Duty VESA Tilt Head



### COMPONENT CHECKLIST



**A**  
Heavy Duty  
Tilt Head  
(x1)



**B**  
Screw  
M4x25mm  
(x4)



**C**  
Screw  
M4x16mm  
(x4)



**D**  
Screw  
M4x12mm  
(x4)



**E**  
Spacer  
(x4)



**F**  
4mm  
allen key  
(x1)

Desk 

### REQUIRED TOOLS

- Phillips Head Screwdriver

### WEIGHT RANGE

0 - 18kg  
(0 - 40lb)

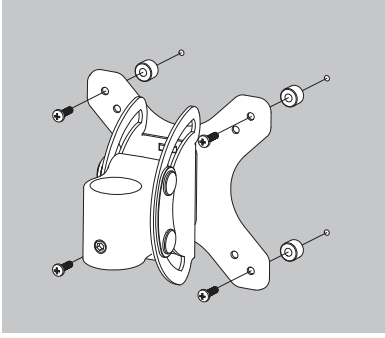
Monitor weight should be within the weight range of all modular elements that make up the complete monitor mounting solution.

### IMPORTANT INFORMATION

- ! Please ensure this product is installed as per these installation instructions.
- ! Curved monitors, deep devices (such as all-in-one PCs) and offset VESA locations exert additional leverage that can exceed the capacity of the mount even though the monitor weight may be within the stated range.
- ! The manufacturer accepts no responsibility for incorrect installation.
- ! This product is compatible with AWM Series monitor arm products: AWM-AHX, AWM-LC, AWM-A46 & AWM-A71.

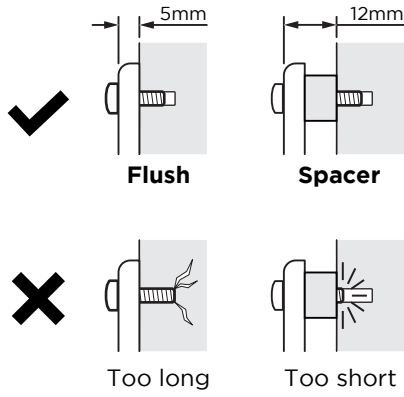
# 1. Attach VESA head to monitor

## 1.1 Screw the VESA head onto monitor

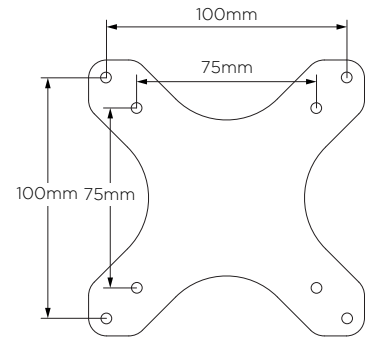


**Note:** Spacers may be required for curved, recessed or uneven monitor surfaces.

## 1.2 Ensure suitable screw size is used.



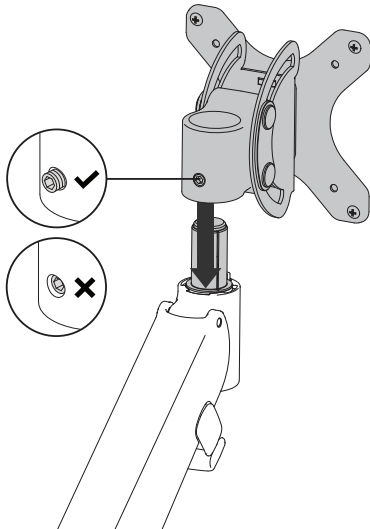
## 1.3 VESA mounting compatibility



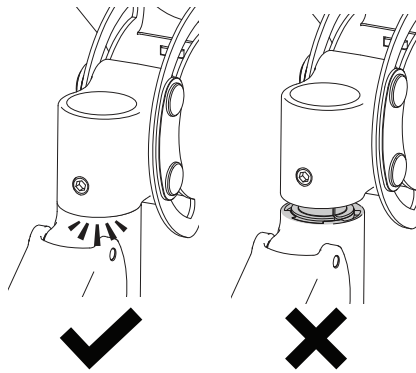
**Note:** For other sizes, use a suitable adaptor plate

# 2. Mount monitor onto arm

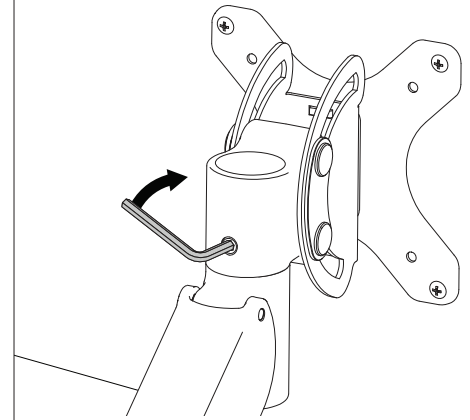
## 2.1 Push tilt head onto the shaft at the end of the monitor arm.



## 2.2 Ensure tilt head is fully pushed onto shaft.



## 2.3 Tighten the joint screw to secure the tilt head and monitor in place.

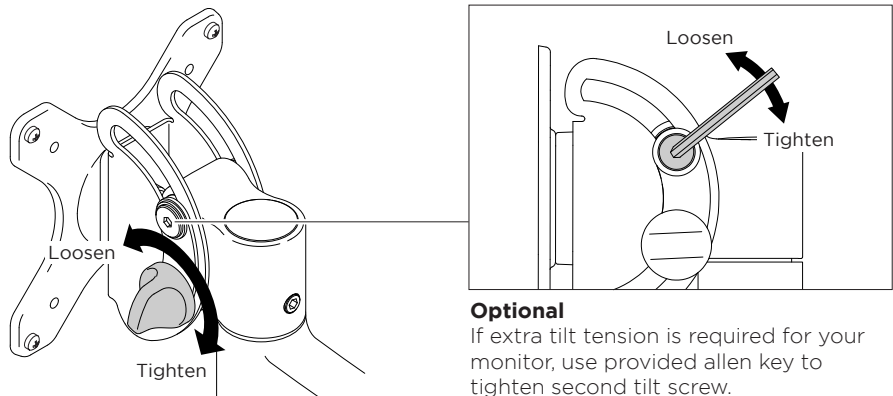


**Note:** Check the arm rotation is smooth after tightening.

# 3. Adjust tilt tension

## 3.1 Use the knob to tighten and loosen the tilt tension to suit your monitor weight.

**Note:** Always support the monitor whilst adjusting to prevent it from falling forward sharply.



**Optional**  
If extra tilt tension is required for your monitor, use provided allen key to tighten second tilt screw.