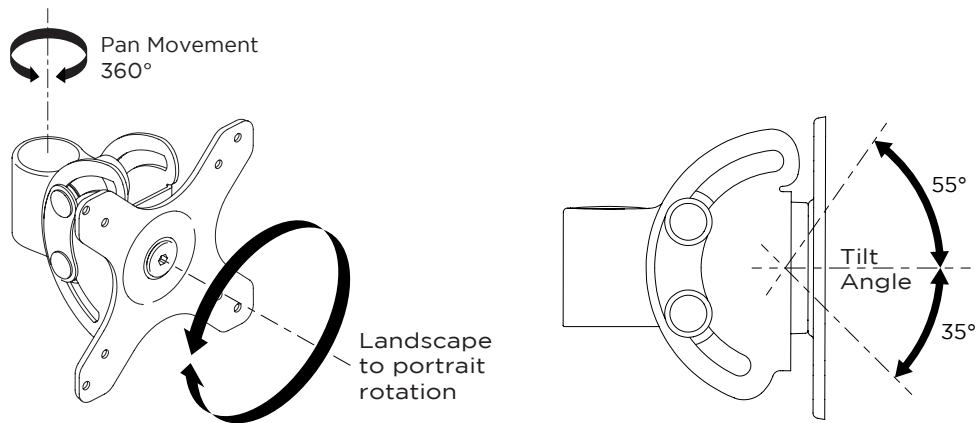
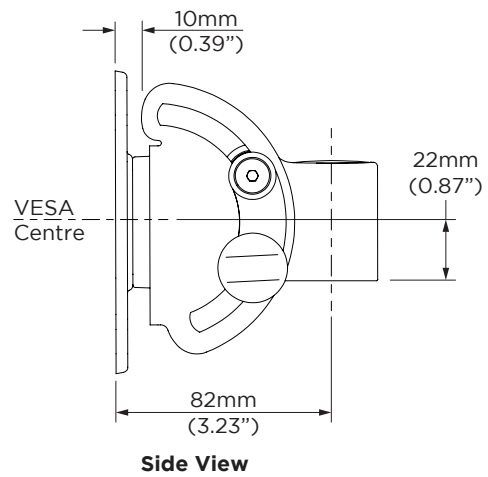
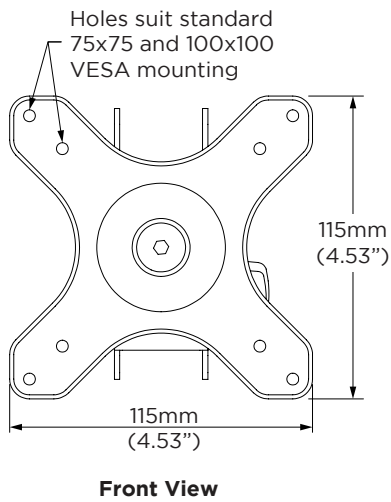


# Heavy Duty VESA Tilt Head

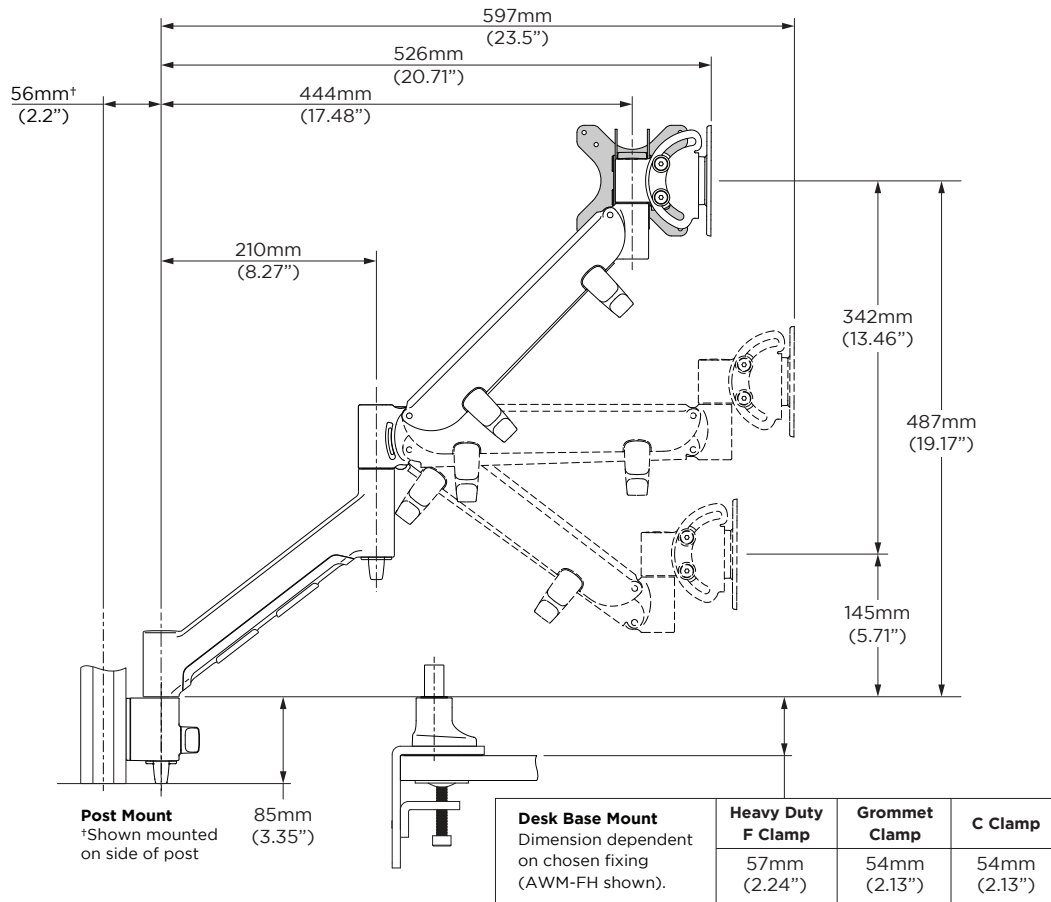
## MOVEMENT



## DIMENSIONS



## DIMENSIONS - WITH HEAVY DUTY DYNAMIC ARM (AWM-AHX)



## FEATURES

- Toolless tilt tension adjustment.
- Balanced tilt mechanism for larger and heavier monitors.
- Compatible with AWM-AHX, AWM-A46, AWM-A71 and AWM-LC
- Landscape to portrait rotation.

<b>Max monitor weight</b>	18kg (40lb)*
<b>Tilt Angle</b>	55° upward   35° down
<b>Monitor rotation</b>	360°
<b>VESA mounting</b>	75x75   100x100

\*Full capacity only possible with direct mount to Arm Channel Clamp (AWM-LC)

\*Monitor weight should be within the weight range of all modular elements that make up the complete monitor mounting solution.

\*Curved monitors, deep devices (such as all-in-one PCs) and offset VESA locations exert additional leverage that can exceed the capacity of the mount even though the monitor weight may be within the stated range. Please contact Atdec if you would like further information.

## WARRANTY

10 years limited

# ATDEC

No portion of this document or any artwork contained herein should be reproduced in any way without the express written consent of Atdec Pty Ltd. Due to continuing product development, the manufacturer reserves the right to alter specifications without notice. ©20190208

atdec.com | atdec.co.uk | atdec.com.au

Please Recycle ♻️

AWM-LTH Page 2 of 2