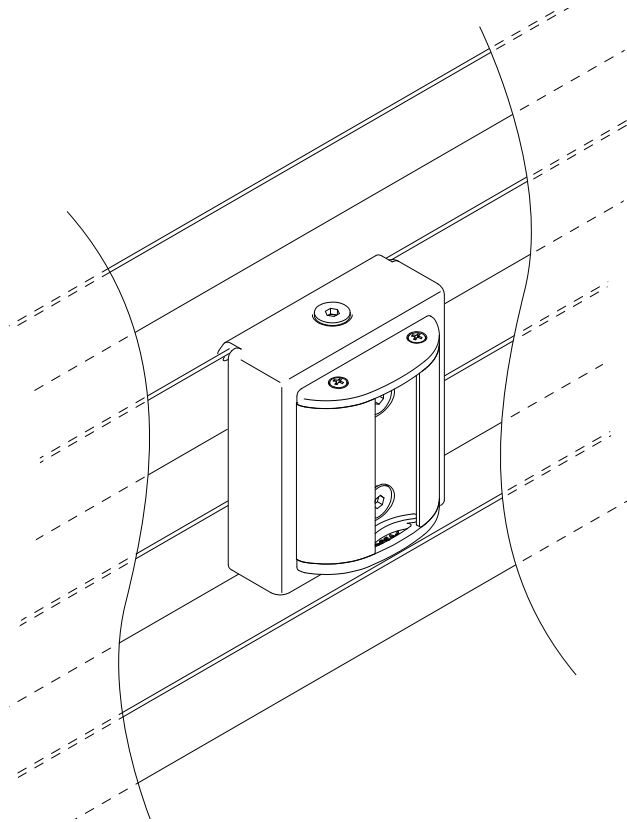
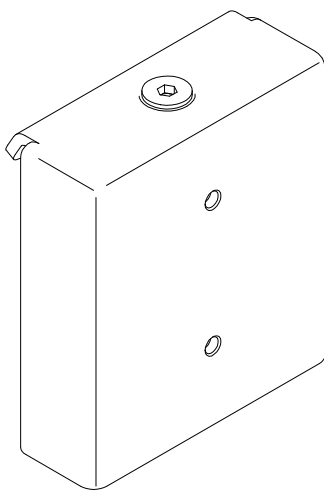


## Slat Wall Adaptor



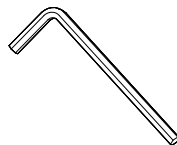
### COMPONENT CHECKLIST



**A**  
Bracket  
Assembly  
(x1)



**B**  
Screw  
M6x10mm  
(x2)



**C**  
4mm  
Allen Key  
(x1)



### REQUIRED TOOLS

- All tools provided

### WEIGHT RANGE

0 - 7kg  
(0 - 15.4lbs)

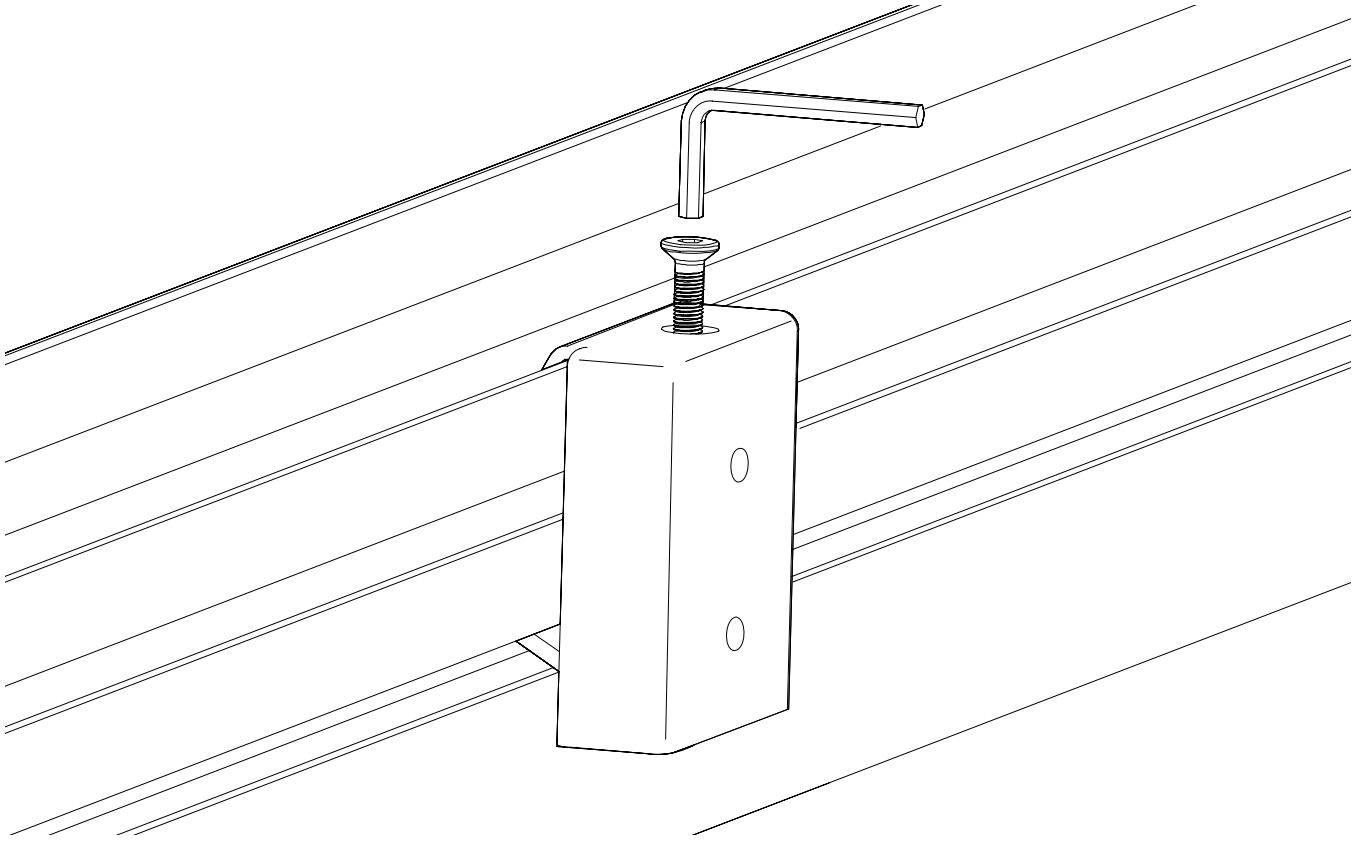
Monitor weight should be within the weight range of all modular elements that make up the complete monitor mounting solution.

### IMPORTANT INFORMATION

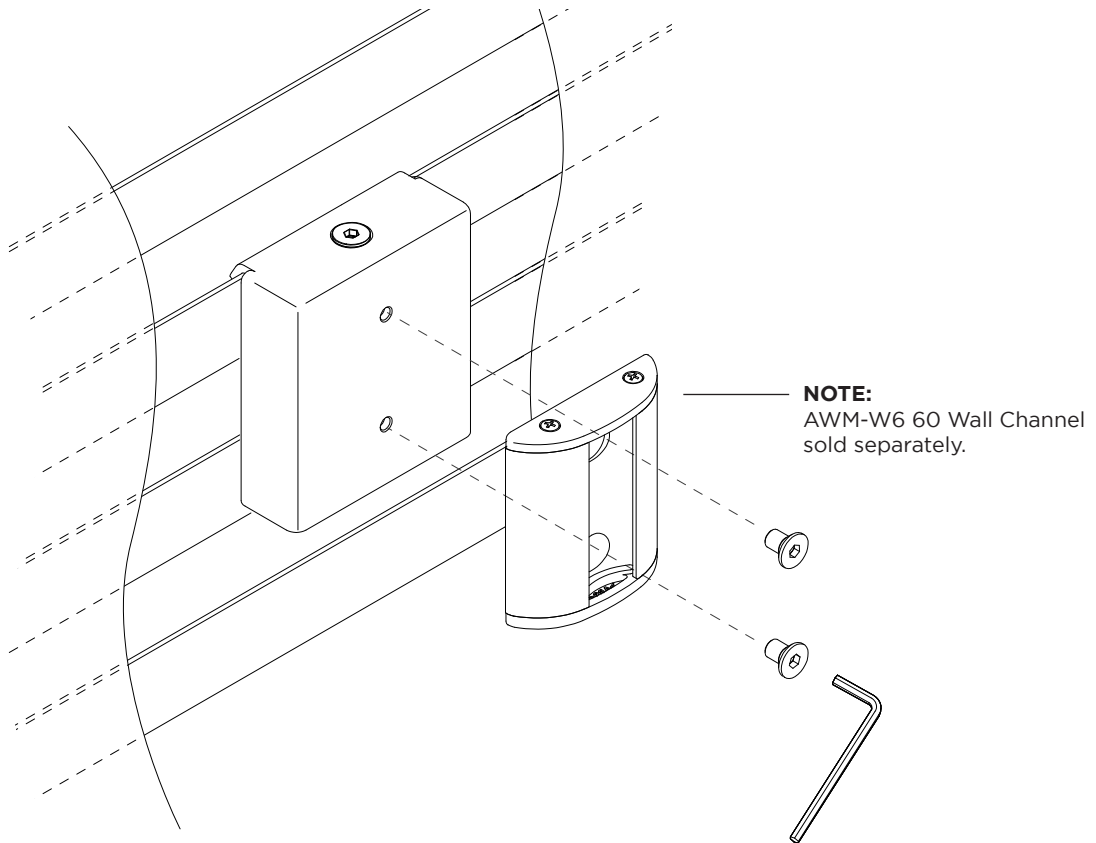
- ! The AWM-W6 60 Wall Channel (sold separately) is required to complete this installation.
- ! Please ensure this product is installed as per these installation instructions.
- ! The manufacturer accepts no responsibility for incorrect installation.
- ! Ensure that the weight rating of the supporting wall or rail is sufficient.

# INSTALLATION INSTRUCTIONS

1. Install the adaptor into the slot and adjust the tension screw from above to lock into place.



2. Attach the wall channel to the front of the Adaptor.



**NOTE:**  
AWM-W6 60 Wall Channel  
sold separately.

**NOTE:** Installation of the adaptor is now complete! Refer to Arm installation guide for arm installation.