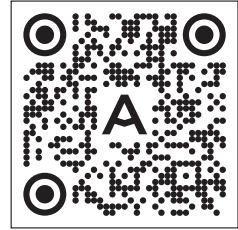
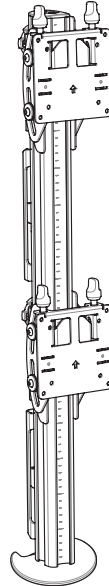


Post Mounted Heavy Duty Dual Vertical Monitor Mount

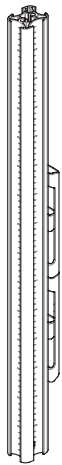
Grommet Clamp



Scan to access
more information



COMPONENT CHECKLIST



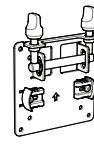
A
M8 Stud
(x1)



B
M8x30mm
Screw (x1)



C
Bracket
(x2)



D
VESA Plate
(x2)



E
Clamp Plate
(x1)



F
M8 Nut
(x1)



G
Clamp Bar
(x1)



H
Post Cap
(x1)



J
M4x10mm
Screw
(x8)



K
M4x20mm
Screw
(x8)



L
10mm
Spacer
(8x)



M
4mm/5mm
Hex Key
(x1 each)



N
13mm
Spanner
(x1)



REQUIRED TOOLS

- Phillips Head Screwdriver

CAPACITY (per monitor)

Flat Monitor
4.5 - 25kg (10 - 55lb)

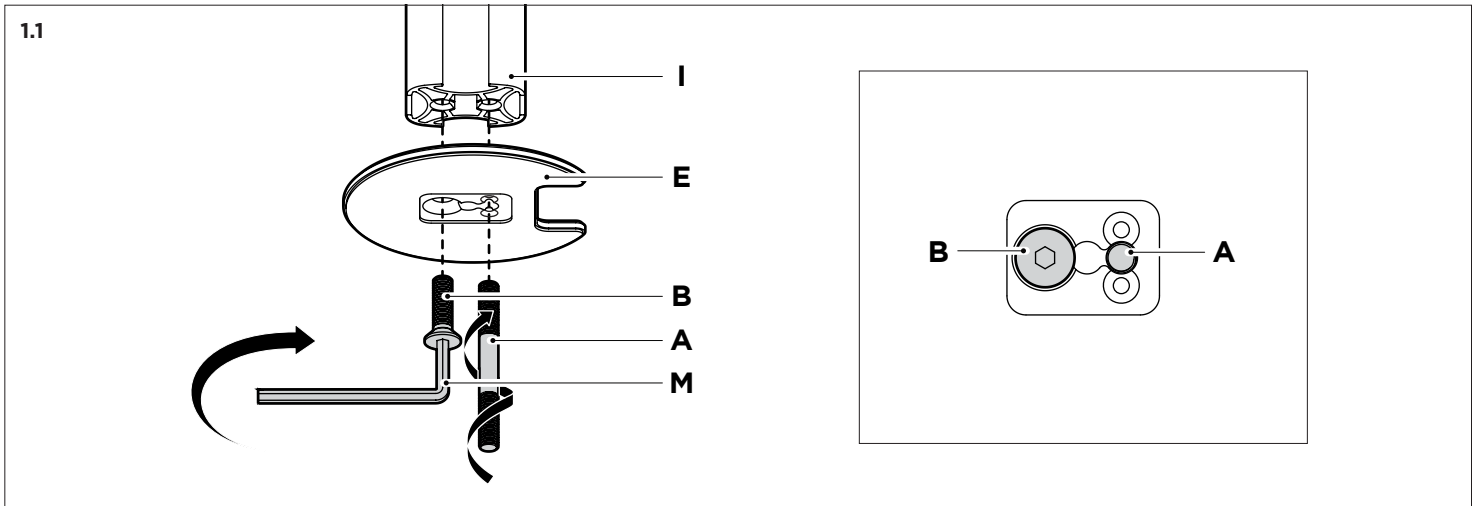
Curved Monitor
4.5 - 18kg (10 - 40lb)

Display Size
24" - 57"
340mm (13.4") max overall
curved display depth

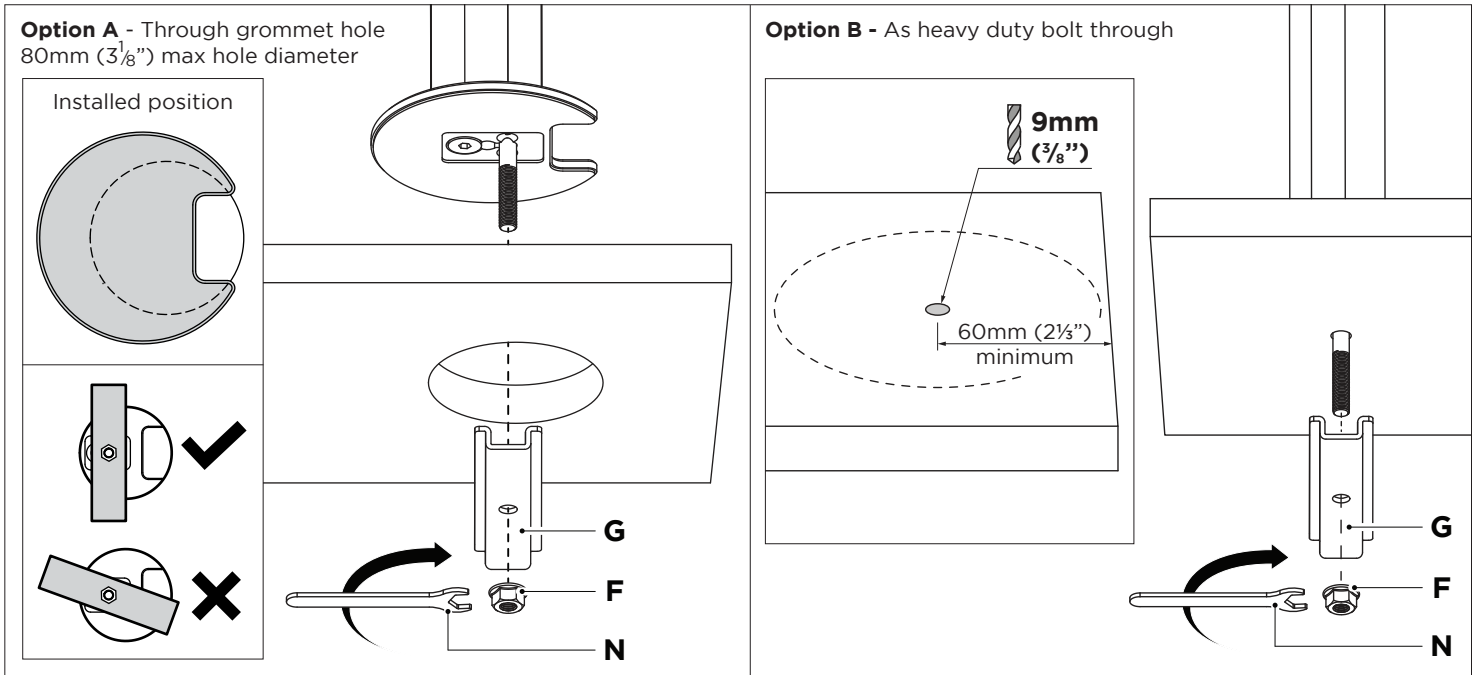
IMPORTANT INFORMATION

- ! **Product should only be assembled and used as per these installation instructions.**
- ! The manufacturer accepts no responsibility for incorrect installation.
- ! Each bracket supports a maximum weight as per above capacity specification.
- ! Avoid applying downward load to corners of display.
- ! Product must only be installed on a solid work surface capable of supporting the weight of all equipment being mounted.
- ! The product is compatible with desk thicknesses from 18 - 36mm (0.71 - 1.42")
- ! This product is not suitable for outdoor use.
- ! Do not use this product for mobile applications.
- ! Curved monitors, deep devices (such as all-in-one PCs), VESA mounted accessories (such as mini PC brackets and mounts), offset VESA locations, and unevenly weighted monitors (relative to the center of the VESA mounting interface) exert additional leverage that can exceed the capacity of the mount even though the monitor weight may be within the stated range. Please contact Atdec if you would like further information.
- ! **WARNING!** Death or serious injury may occur if a child climbs on or tips product.

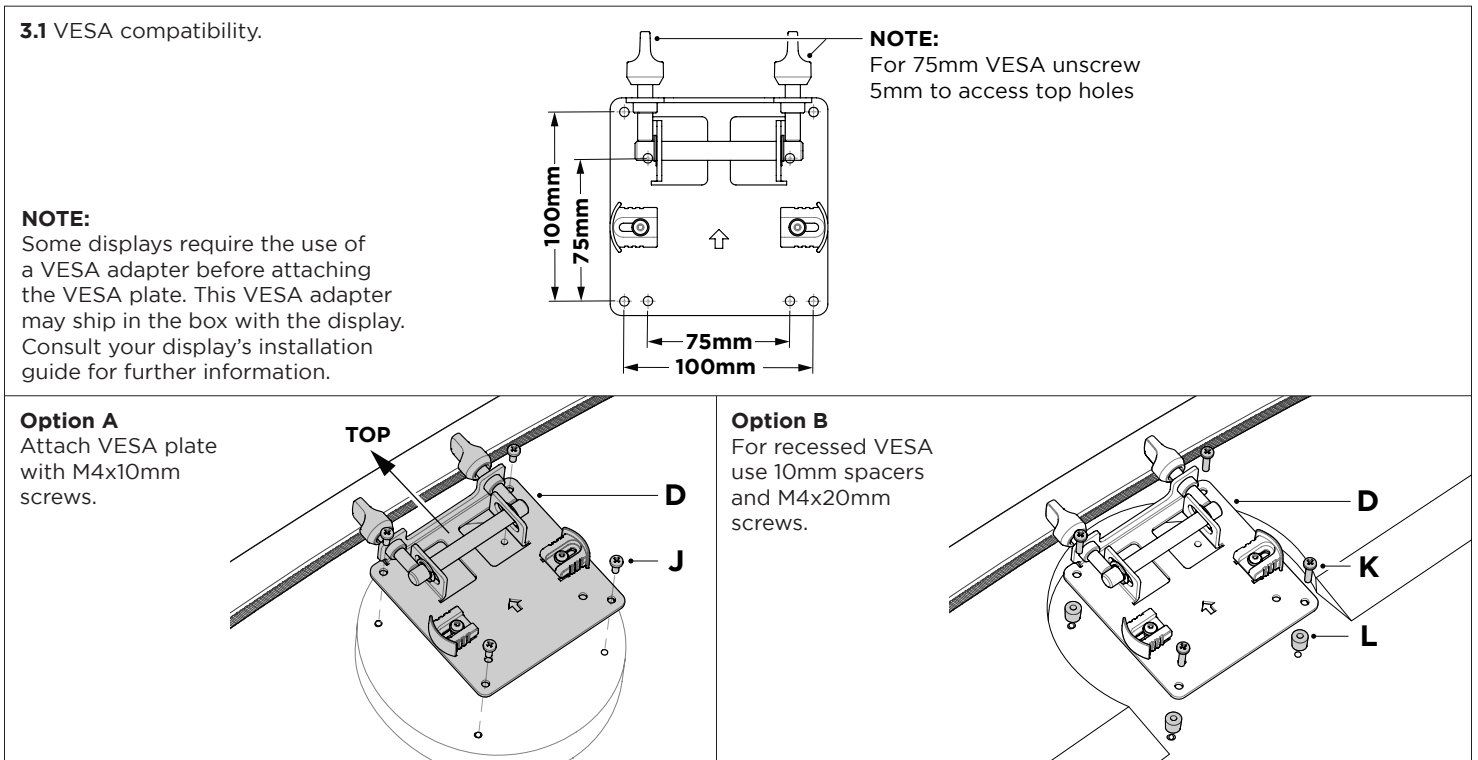
1. Assemble post to clamp plate



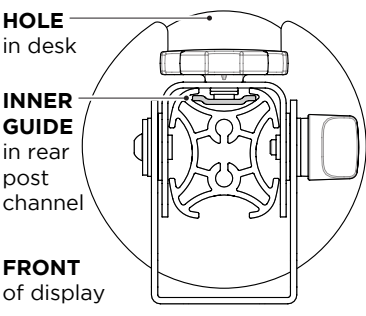
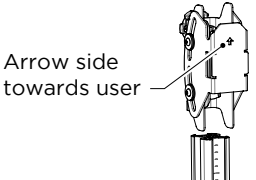
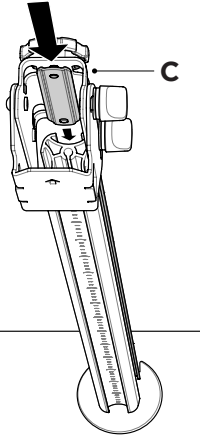
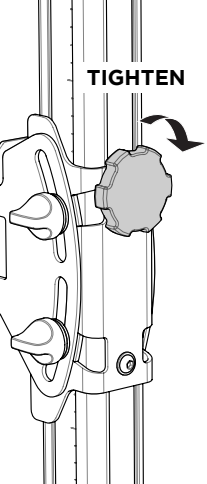
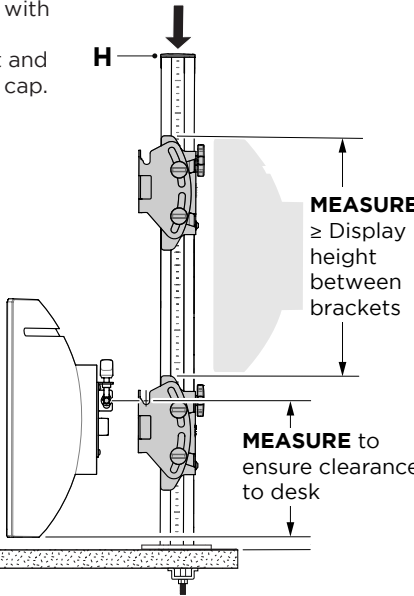
2. Attach grommet clamp on desk



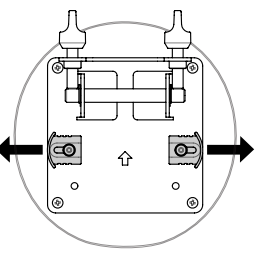
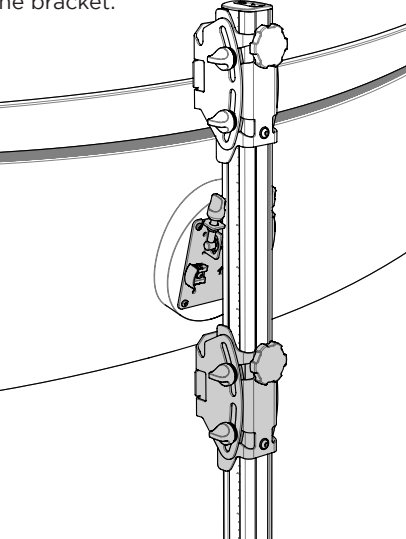
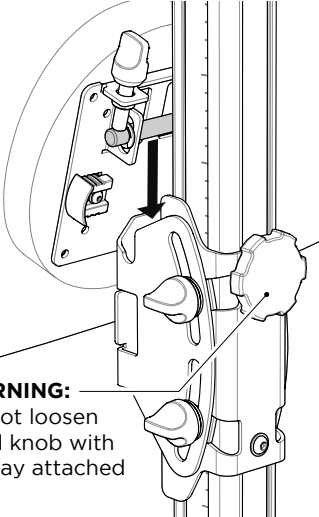
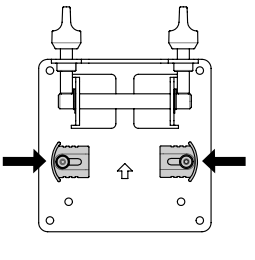
3. Attach VESA plates to displays



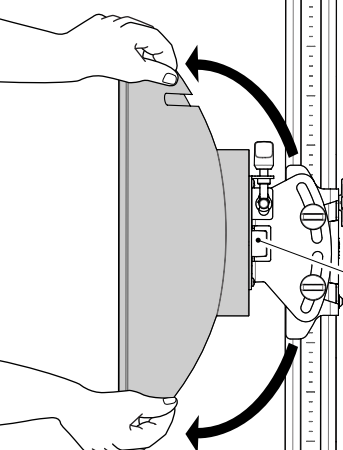
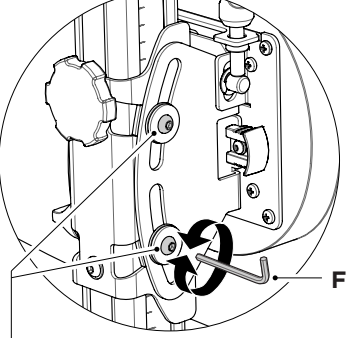
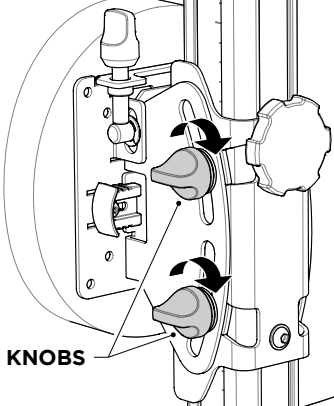
4. Slide brackets onto post and set height

<p>4.1 Line up the inner guide on rear of bracket with rear channel on post.</p> <p>VIEW FROM ABOVE</p>  <p>HOLE in desk</p> <p>INNER GUIDE in rear post channel</p> <p>FRONT of display</p>  <p>Arrow side towards user</p>	<p>4.2 Slide inner guide into channel, then lower bracket.</p>  <p>C</p>	<p>4.3 Firmly tighten hand knob at chosen height.</p>  <p>TIGHTEN</p> <p>WARNING: Never loosen knob while display is on bracket</p>	<p>4.4 Ensure height is sufficient for display to clear desk once in place. Repeat with second bracket and fit post cap.</p>  <p>H</p> <p>MEASURE \geq Display height between brackets</p> <p>MEASURE to ensure clearance to desk</p>
--	---	---	---

5. Attach bottom display

<p>5.1 Set VESA plate clips to open position.</p> <p>Bottom display must be attached to bracket first.</p> <p>WARNING: Use two people to install display</p>  <p>OPEN</p>	<p>5.2 Lift display until VESA plate is above the bracket.</p> 	<p>5.3 Centre VESA plate close to post and slowly lower until bar on VESA plate sits in saddle in bracket.</p>  <p>WARNING: Do not loosen hand knob with display attached</p>	<p>5.4 Set VESA plate clips to closed position.</p> <p>NOTE: Display hangs from the bracket like a painting. After clips are closed, if corners of the screen are pushed downwards, rocking movement is expected.</p>  <p>CLOSED</p>
--	--	--	--

6. Set tilt

<p>6.1 Adjust display tilt angle by gripping edges of screen and rolling up or down to desired position.</p>  <p>WARNING: Ensure clips closed before tilting</p>	<p>OPTIONAL ADJUSTMENT - TILT FRICTION</p> <p>4mm hex key can be used to reduce tilt friction (for light screen) or increase tilt friction (for heavy screen).</p>  <p>F</p> <p>Clockwise = More friction Anti-clockwise = Less friction</p>	<p>6.2 Set display angle by tightening tilt knobs.</p>  <p>TILT KNOBS</p>
--	--	--

7. Attach top display

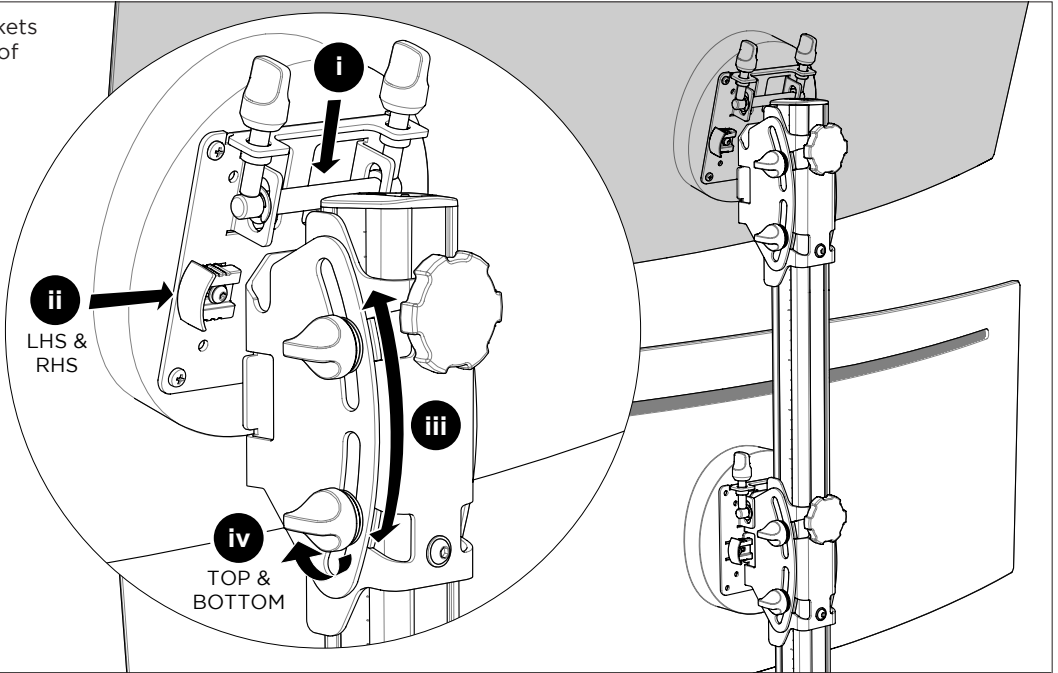
7.1 Check that distance between brackets is equal to or greater than the height of the display. (See image in **Step 4.4**)

WARNING:

Damage to monitors may occur if there is insufficient spacing between brackets. Top monitor must hang in bracket - not be held up by the monitor below it. After both displays are attached, use fine adjustment to close gap between them (see **Step 8**).

7.2 Repeat **Step 5** & **Step 6** to attach top display and set tilt angle.

- i** Lower
- ii** Close
- iii** Adjust angle
- iv** Set angle



8. Fine Adjustment

8.1 To correct horizontal angle of display +/- 2°:

Turn a single fine tune adjustment knob to adjust angle of screen.

Clockwise = Higher
Anti-clockwise = Lower

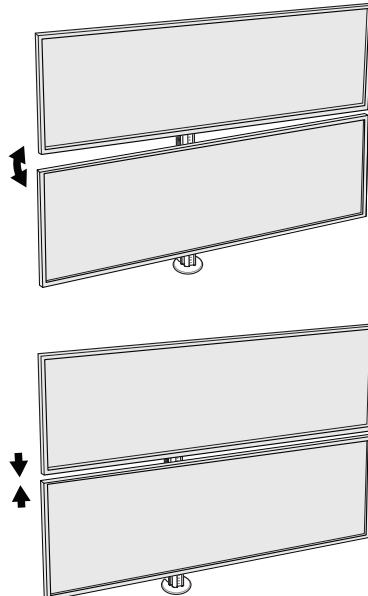
TIP:

For extra precision use a spirit level

8.2 To close small gap between displays +/-6mm (1/4"):

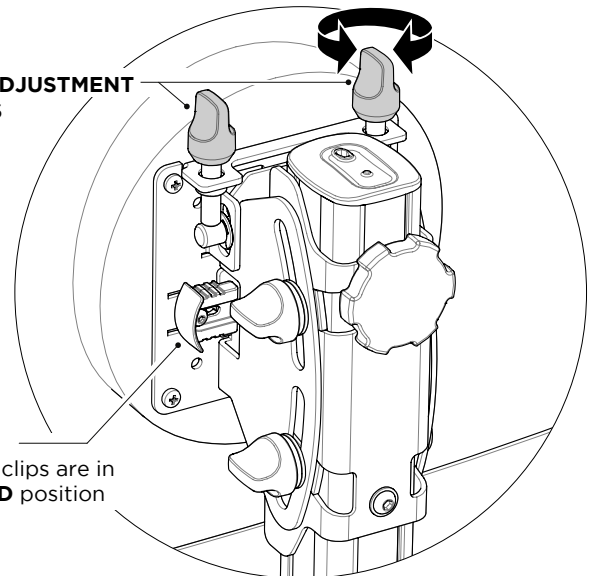
Turn both fine tune adjustment knobs - alternating sides a few rotations at a time.

Clockwise = Higher
Anti-clockwise = Lower



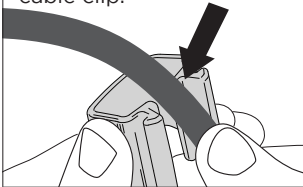
FINE ADJUSTMENT KNOBS

NOTE: Ensure clips are in **CLOSED** position

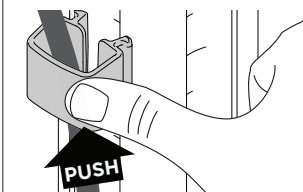


9. Cable Management

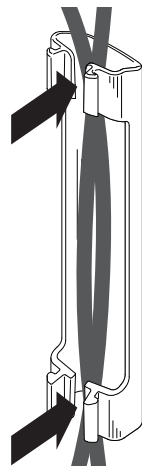
9.1 Load cables into cable clip.



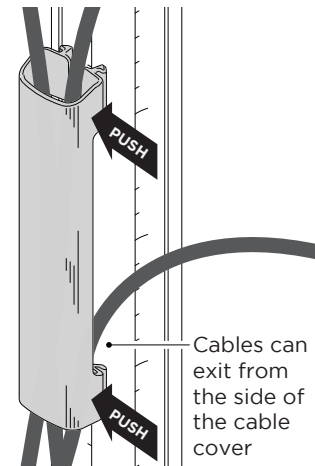
9.2 Insert one side of the cable clip into a channel on the post, then push in the other side.



9.3 Load cables into cable cover.



9.4 Clip the cable cover back onto rear post channels.



Cables can exit from the side of the cable cover

