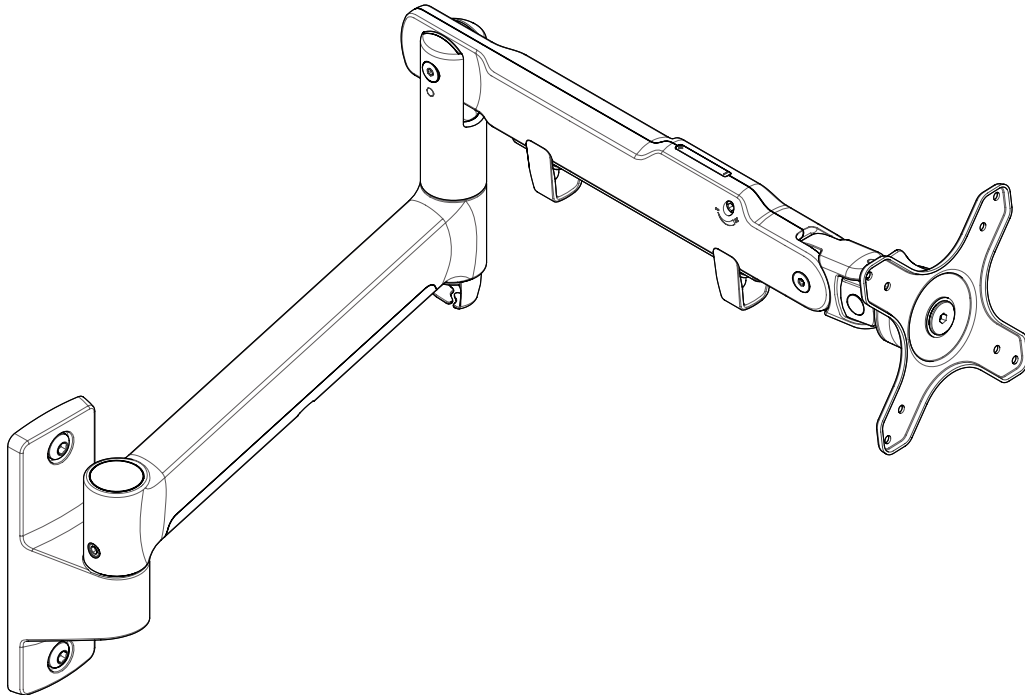


Dynamic Arm Wall Mount



FEATURES

- Spring-assisted monitor arm with wall bracket
- Adjustable counterbalance to suit a wide range of monitors
- Tension gauge makes installation of multiple arms faster
- Integrated 180° rotation limiter to prevent interference with wall
- Generous cable management guides cables discreetly down the arm to the wall
- Dynamic Arm (AWM-AD) and Wall bracket (AWM-W) also available separately

Monitor weight range

Flat monitor

0-9kg (0 - 20lb)*

Curved monitor

0-6kg (0 - 13.5lb)*

Tilt adjustment

+45° / -25°

Monitor rotation

180°

Horizontal adjustment

602mm (23.7")

Vertical adjustment

315mm (12.4")

VESA mounting

75x75 | 100x100

Primary materials

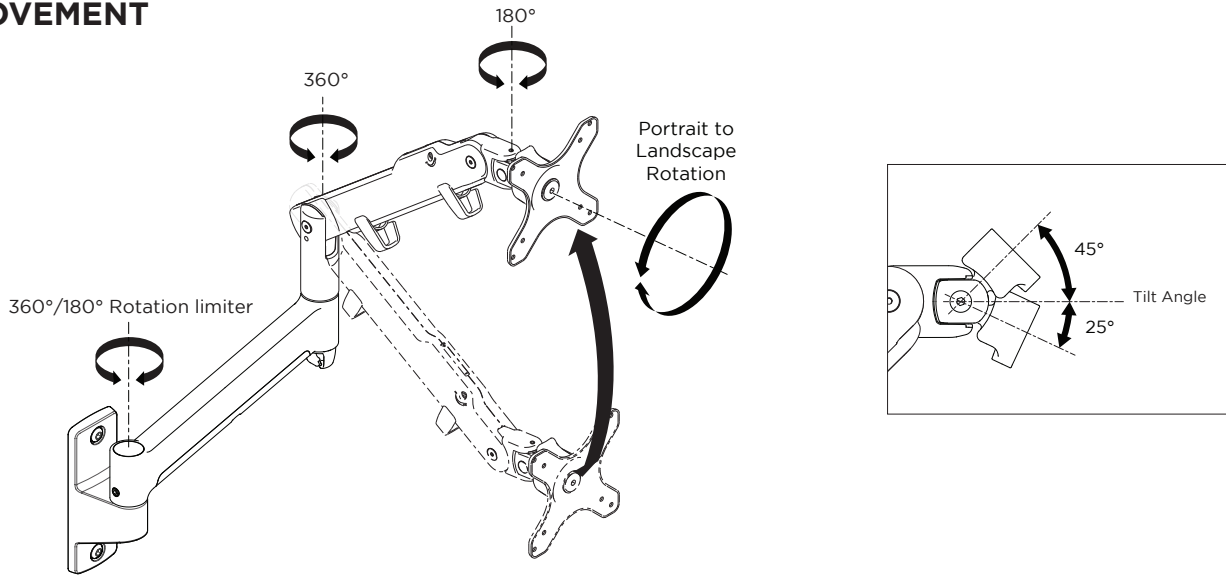
Aluminium, Steel

*Curved monitors, deep devices (such as all-in-one PCs) and offset VESA locations exert additional leverage that can exceed the capacity of the mount even though the monitor weight may be within the stated range. Please contact Atdec if you would like further information.

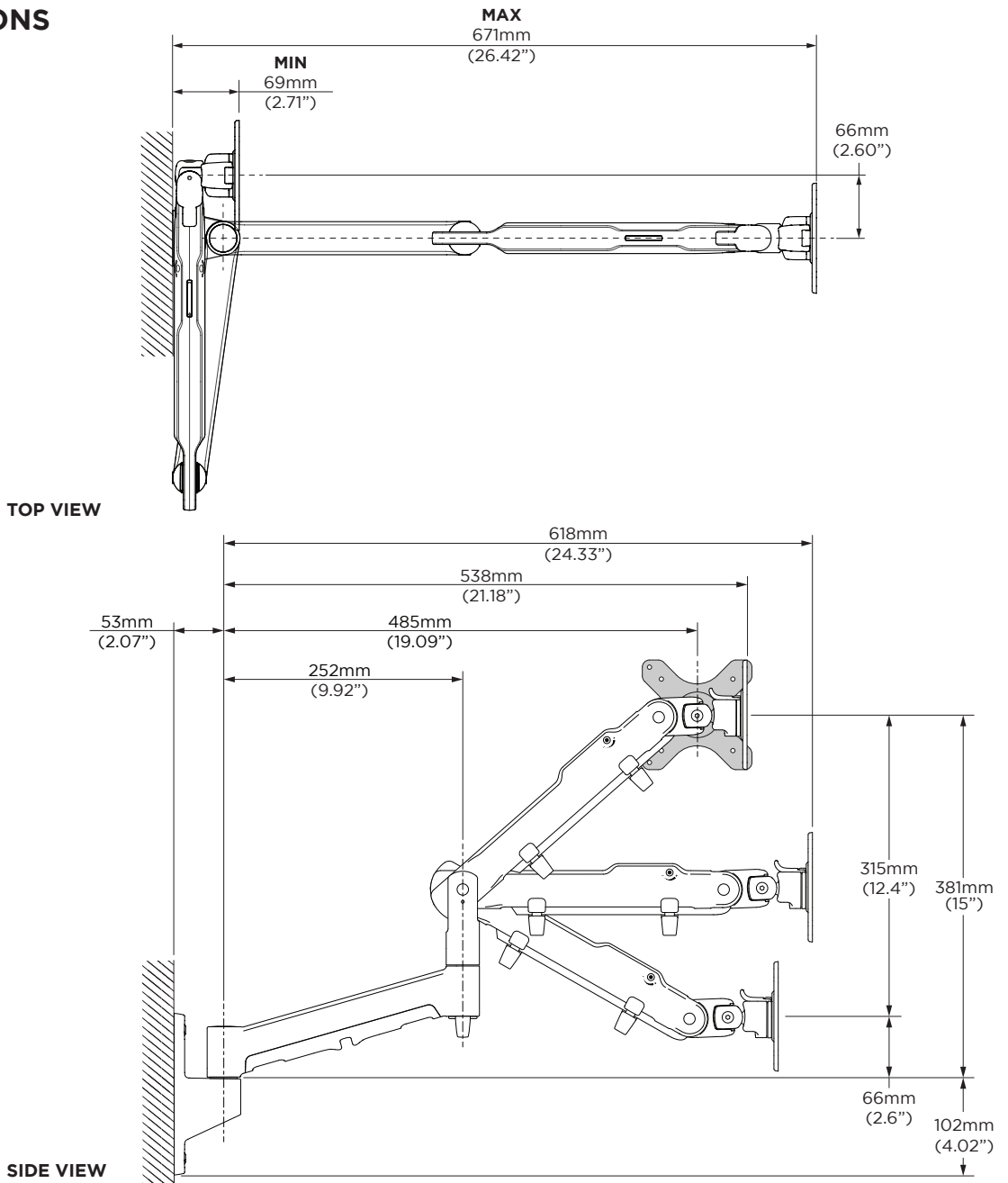
WARRANTY

10 years limited

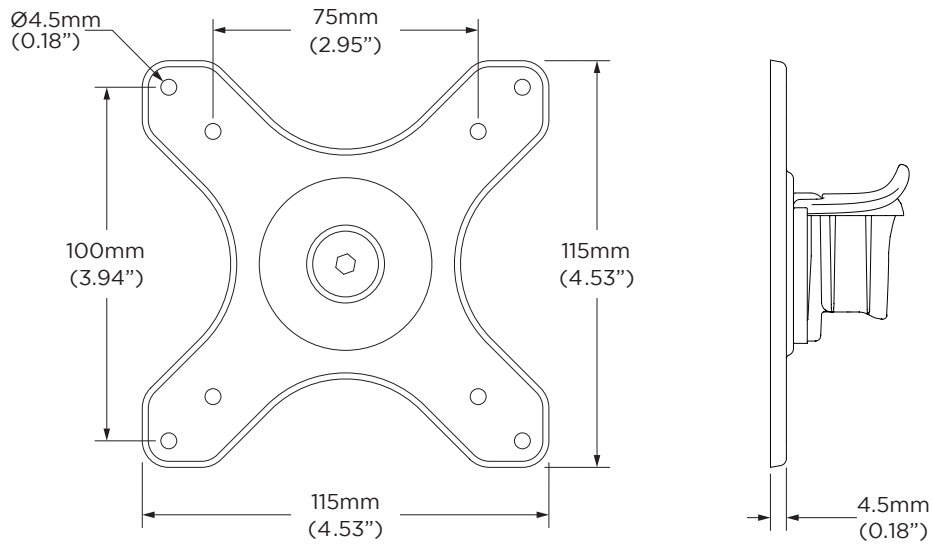
MOVEMENT



DIMENSIONS



DIMENSIONS - VESA HEAD



DIMENSIONS - SINGLE WALL BRACKET

