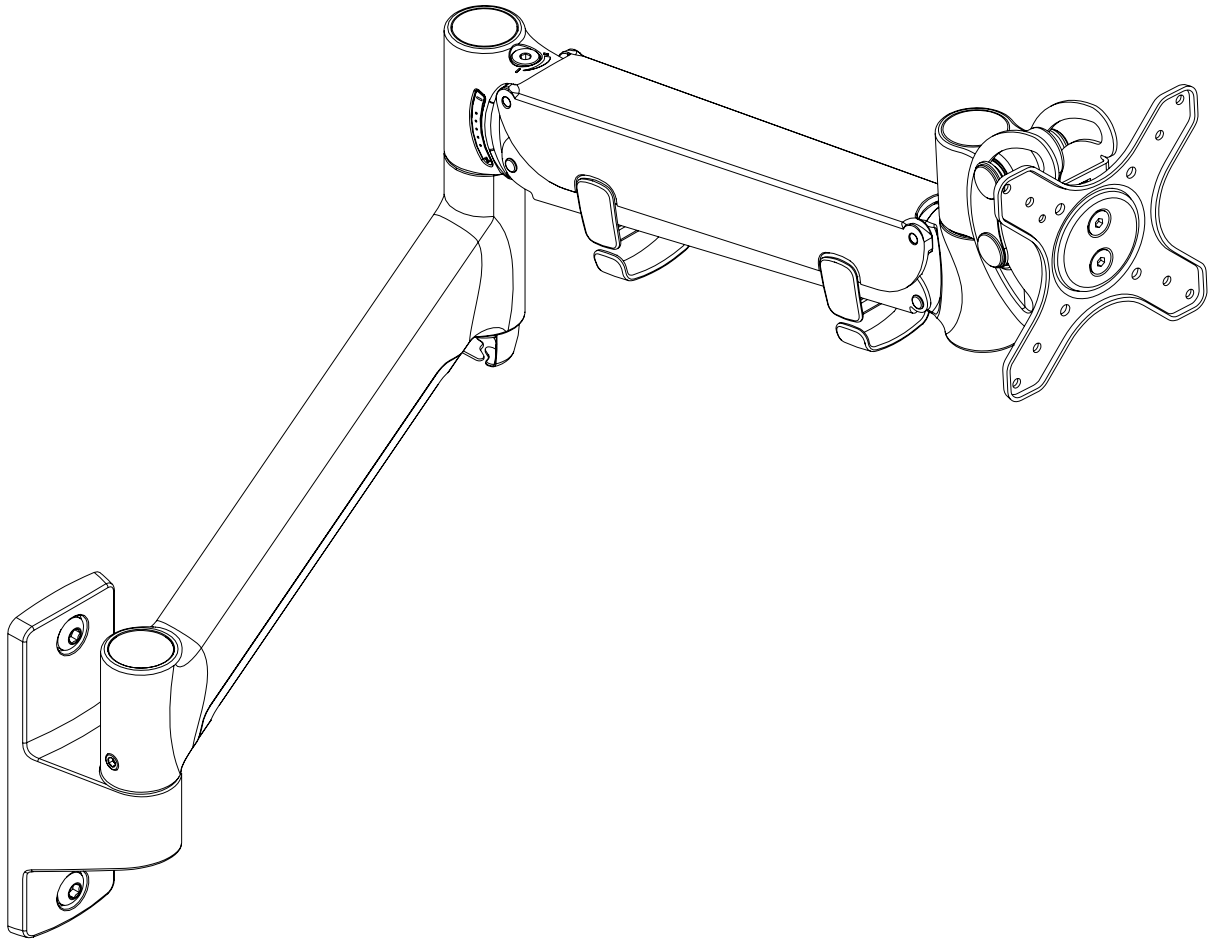


## HD Dynamic Arm Wall Mount



### FEATURES

- Counterbalanced vertical adjustment for larger, heavier monitors.
- Also compatible with AWM-LR.
- Tension gauge makes installation of multiple arms faster.
- Integrated 180° rotation limiter to prevent interference with desk mounted panels and dividers.
- Generous cable management guides cables discreetly down the arm to the work surface.

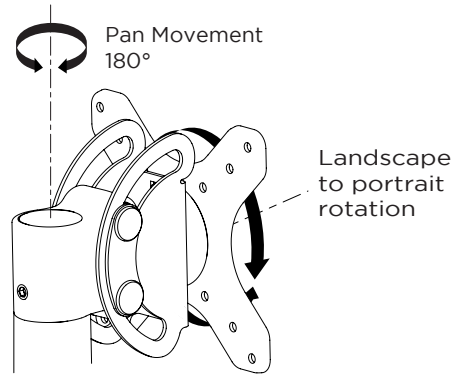
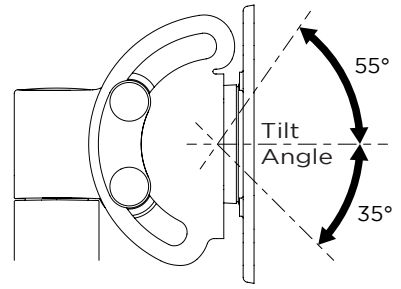
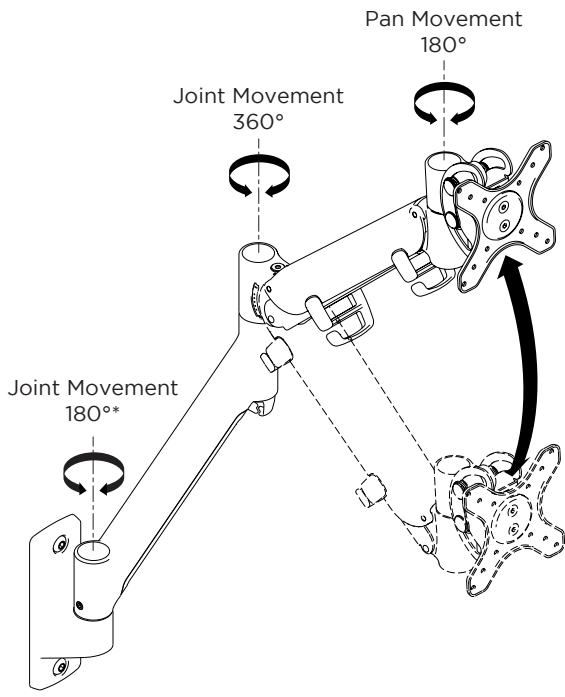
<b>Monitor weight range</b>	(per monitor)
<b>Flat monitor</b>	6-16kg (13 - 35lb)*
<b>Curved monitor</b>	6-12kg (13 - 26.5lb)*
<b>Max. overall monitor depth</b>	210mm (8.27")
<b>Tilt angle</b>	55° upward   35° down
<b>Monitor rotation adjustment</b>	180°
<b>Horizontal adjustment</b>	550mm (21.7")
<b>Vertical adjustment</b>	316mm (12.4")
<b>VESA mounting</b>	75x75   100x100
<b>Primary materials</b>	Steel, Aluminium

\*Monitor weight should be within the weight range of all modular elements that make up the complete monitor mounting solution.

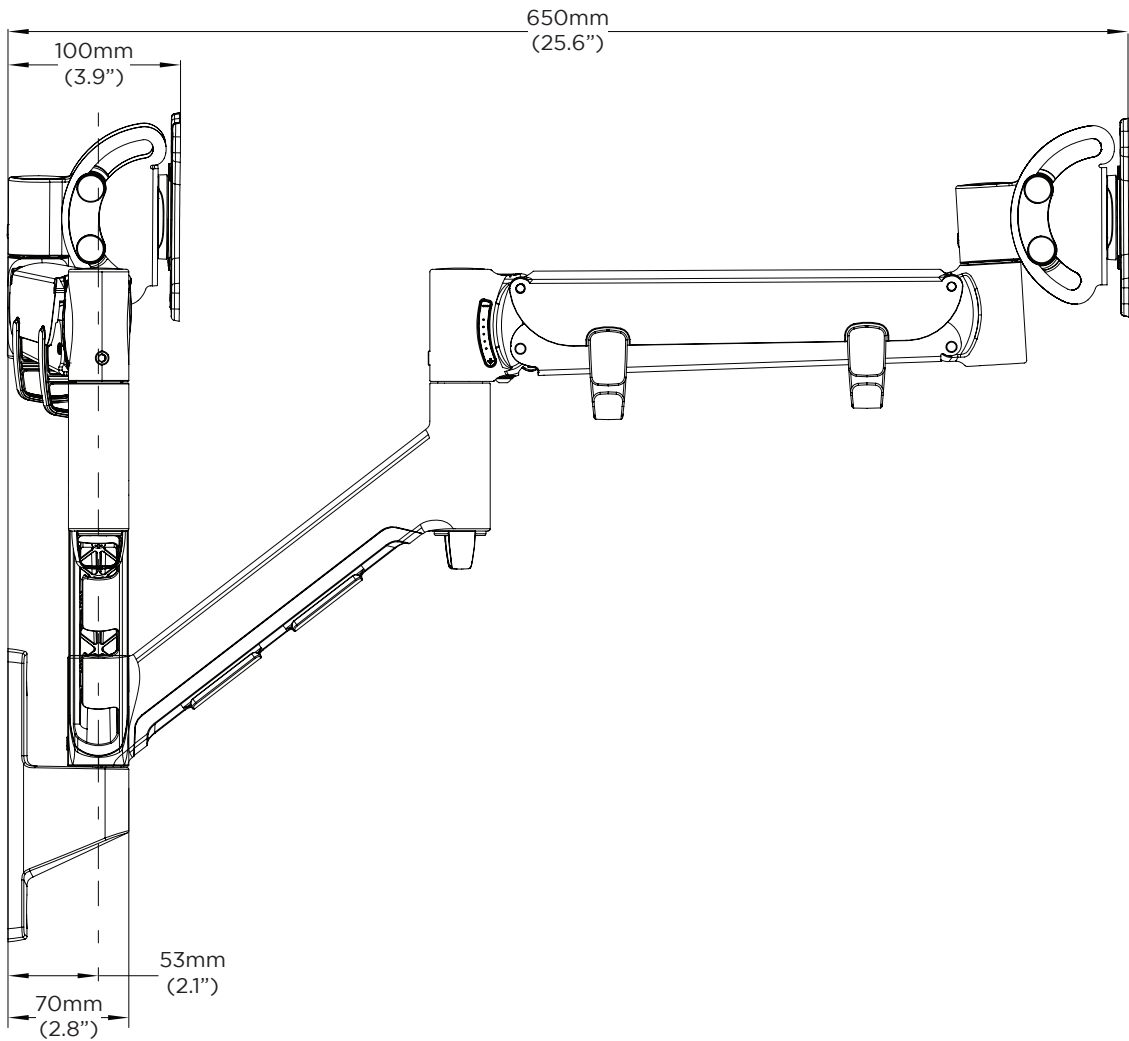
### WARRANTY

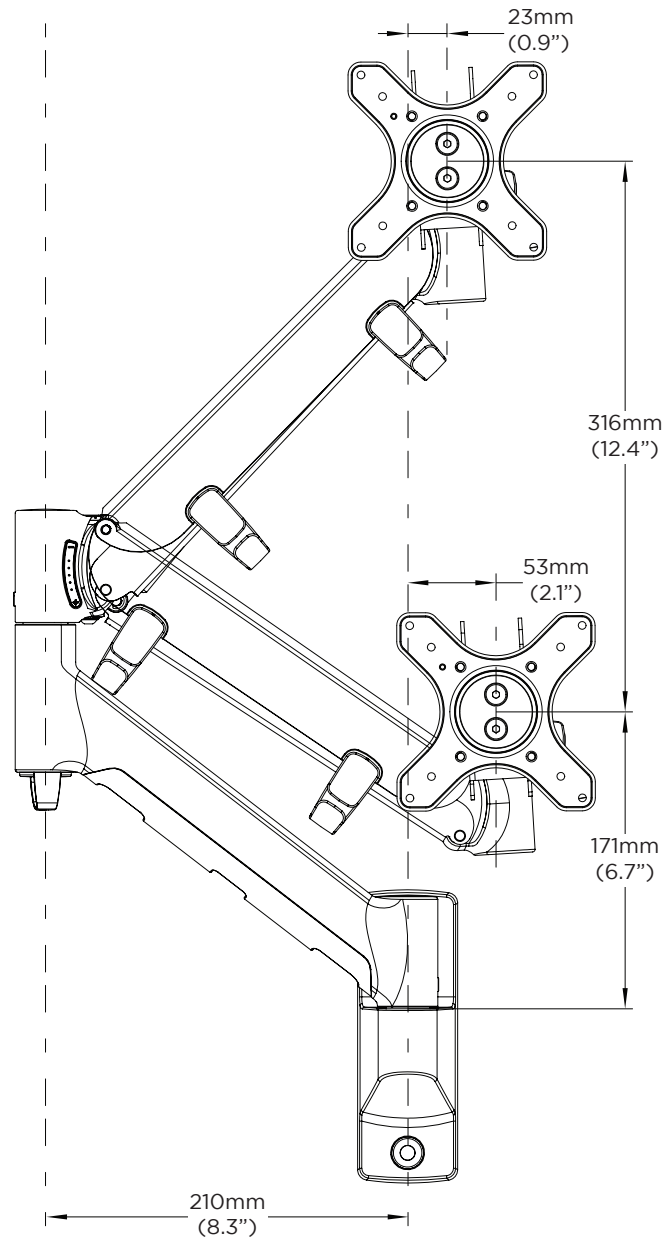
10 years limited

# MOVEMENT



# DIMENSIONS





## MOUNTING DIMENSIONS

