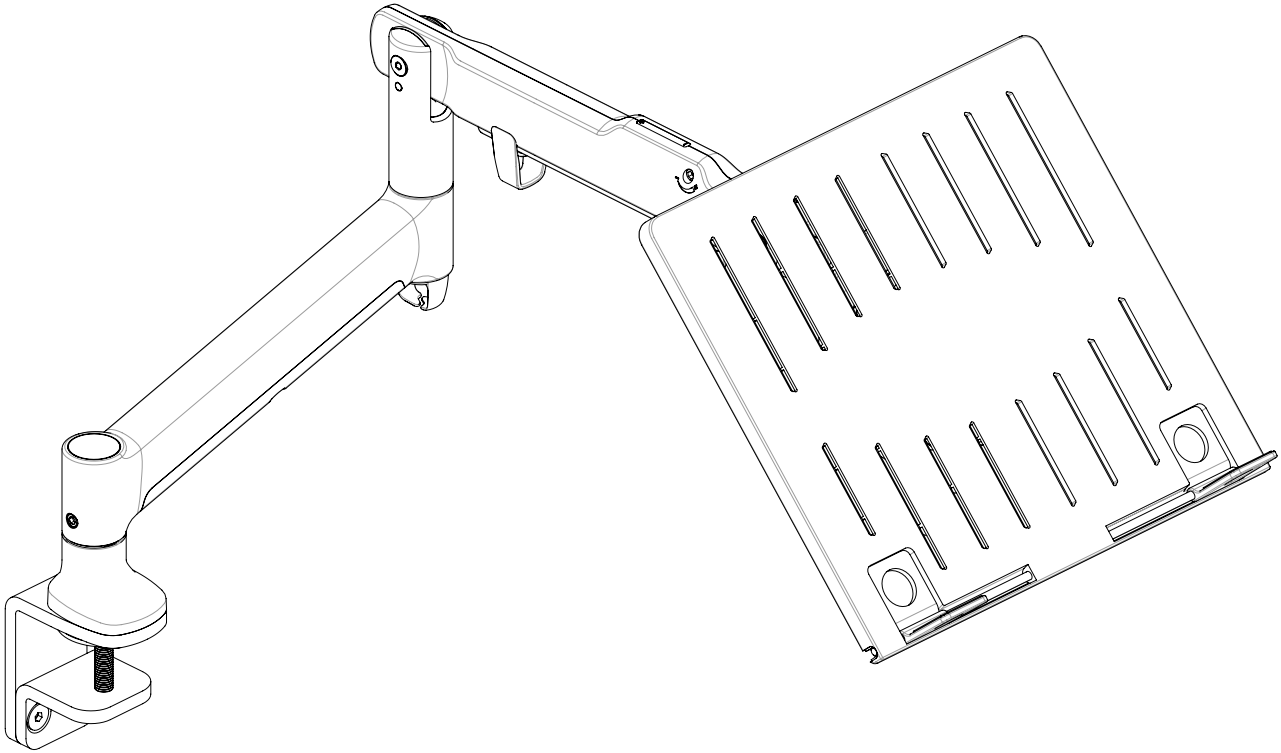


AWM Dynamic Notebook Arm



FEATURES

- Notebook arm with dynamic spring-assisted height adjustment for optimum viewing angle selection. Includes compact desk clamp to maximise available desk space.
- Adjustable counterbalance to suit a wide range of notebooks
- Ventilated non-slip tray recommended for notebooks up to 18"
- Adjustable support tabs hold notebook computer in place
- Easy to install and re-configure as monitor mount with optional VESA mount (included)
- Integrated 180° rotation limiter to prevent interference with desk mounted panels and dividers.
- Generous cable management guides cables discreetly down the arm to the work surface.

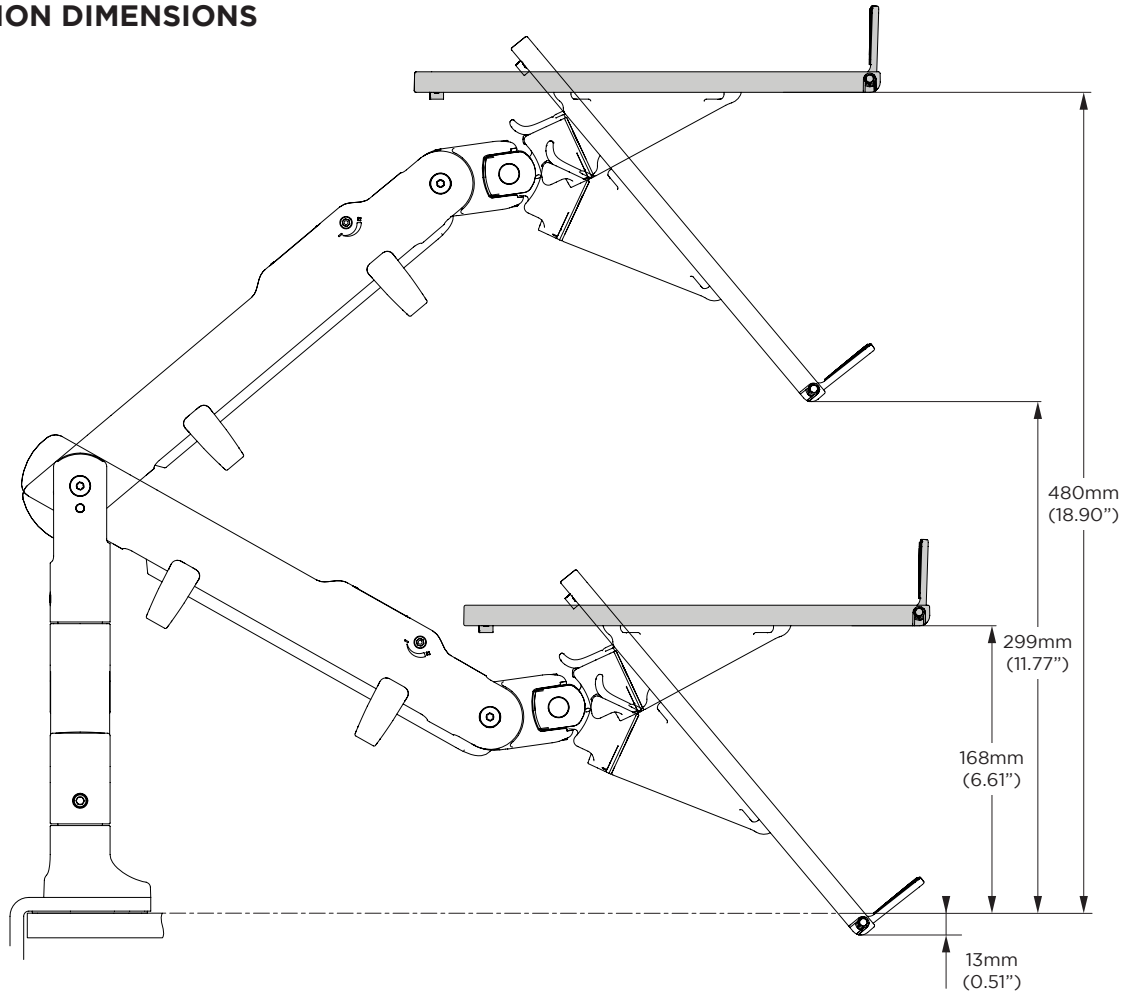
Notebook weight range	0-8kg (0 - 18lb)
Notebook size	Up to 18"
Notebook tilt angle	+0° /- 50°
Levelling Adjustment	+/- 5°
Horizontal Adjustment	618mm (24.33")
Vertical Adjustment	368mm (14.49")
Arm tilt angle	+45 /- 25°

Primary Material(s)	Aluminium, Steel, Plastic
----------------------------	---------------------------

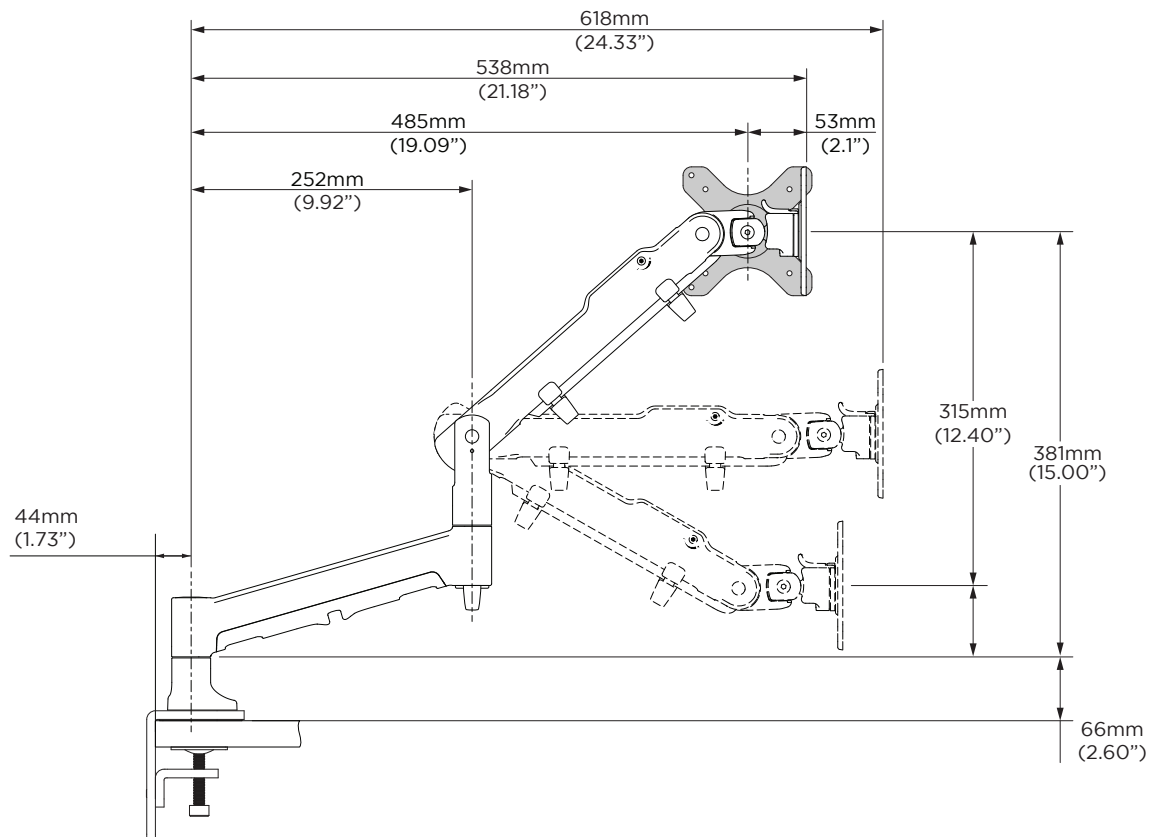
WARRANTY

10 years limited

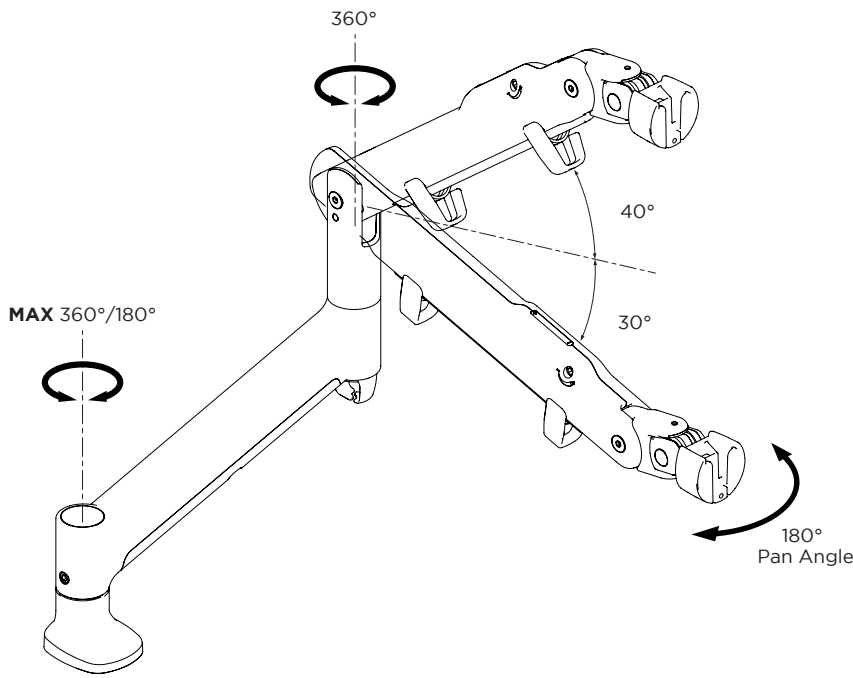
SOLUTION DIMENSIONS



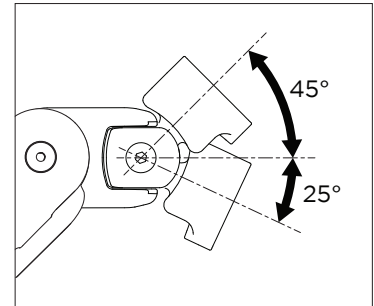
DYNAMIC ARM DIMENSIONS



MOVEMENT - DYNAMIC ARM



TILT ANGLE

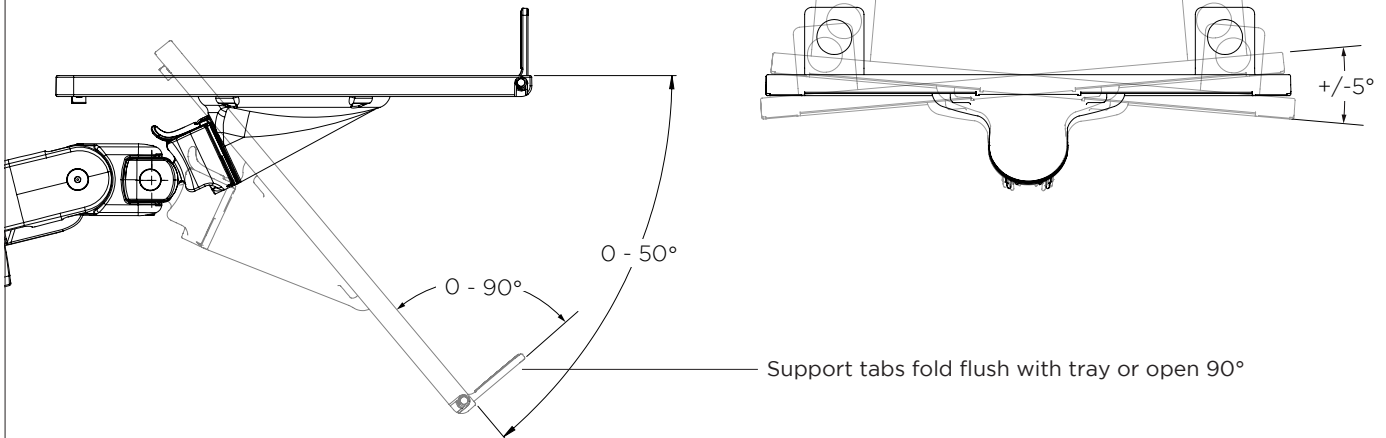


*Tilt angle differs with Notebook Tray attachment

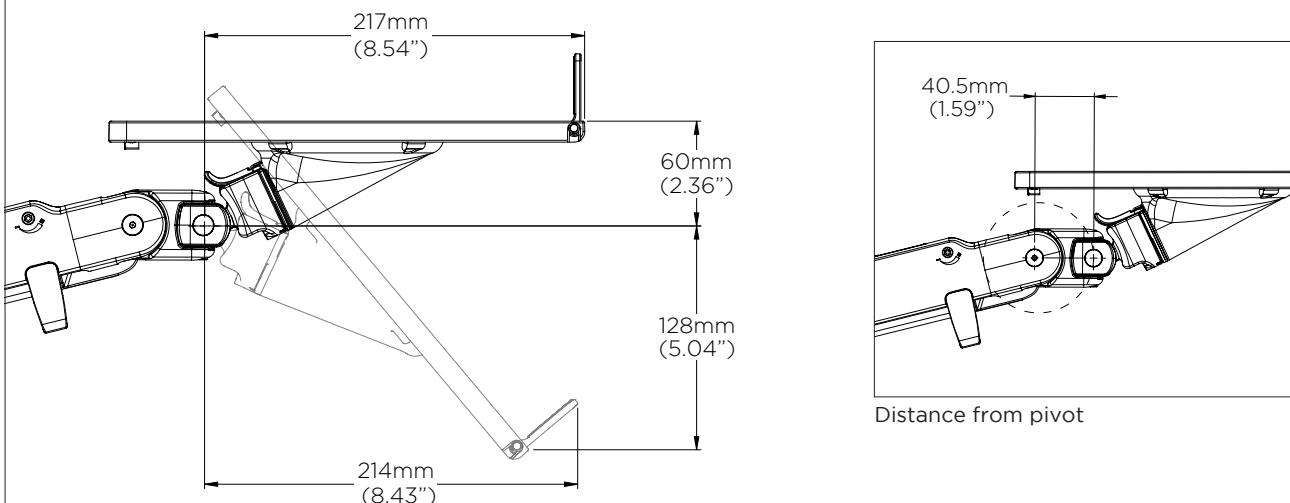
MOVEMENT - NOTEBOOK TRAY

0-50° Tilt adjustment

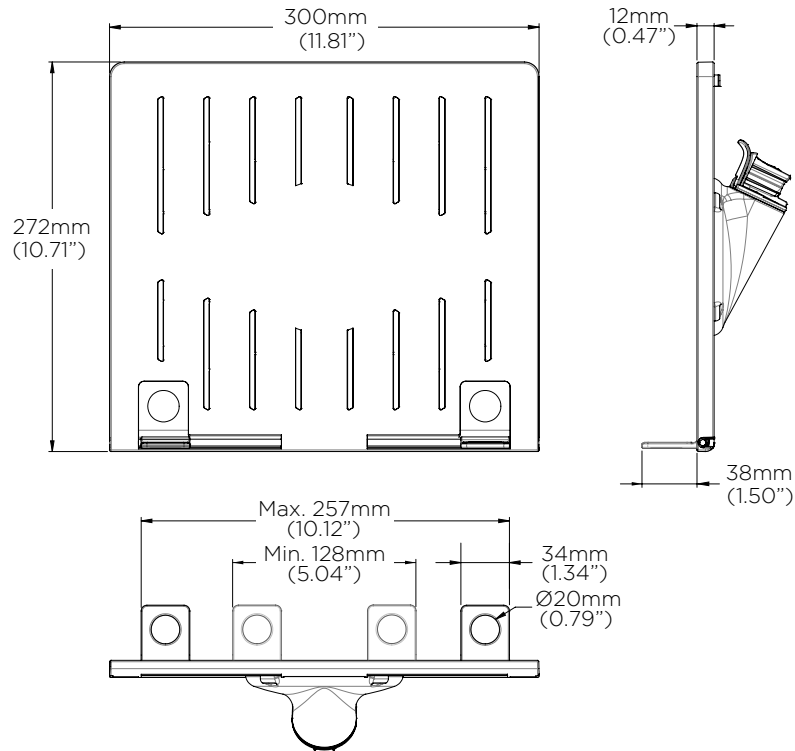
+/-5° Levelling adjustment



POSITIONING DIMENSIONS



TRAY DIMENSIONS



DESK FIXING OPTIONS

Below is the fixing option supplied with this solution. Alternative fixings may be purchased separately. For more information and detailed specifications for these products please see the separate Technical Specifications available on the Atdec website.

F CLAMP AWM-FF

