

TH-1040-CT

Display ceiling mount

The TH-1040-CT ceiling mount is designed for small to medium size displays. It is ideal for retail and commercial environments, offering exceptional durability and multiple display adjustment options. Available in black or white, short or long telescopic pole options.



Ceiling mounting solutions

Height adjustable pole

- TH-1040-CTS: 400 - 900mm
- TH-1040-CTL: 900 - 1800mm



Ball joint mechanism allows display adjustment of up to 20° in any direction

Landscape to portrait display rotation

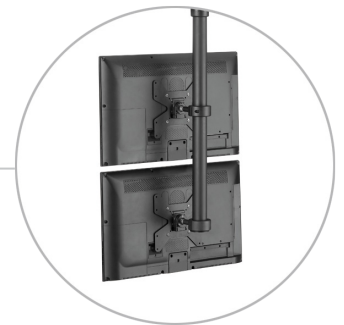
Advance Cable Management



75 x 75, 100 x 100
200 x 100, 200 x 200
Can support up to 400 x 400
via AC-AP-4040 adaptor plate



25kg per display



Dual Display option for vertical or back to back configuration

Display rotation around the pole: 360° or fixed

Quick release/attachment display mechanism with security screw



Available in black or white

10 year warranty



Ordering TH-1040-CT

Code	Pole length, mm	Colour	Dual display configuration (available in black only)
TH-1040-CTS	400 - 900	Black	Dual back-to-back: add TH-1040-CT-B2B kit
TH-1040-CTL	900 - 1800	Black	Dual vertical: add TH-1040-CT-B2B and TH-1040-CT-RCK kits
TH-1040-CTSW	400 - 900	White	
TH-1040-CTLW	900 - 1800	White	



Atdec Uncover™ is where our infinite mounting possibilities become your specific mounting solutions.



Call us on 02 8729 5000 to discuss your next project or visit atdec.com.au/digital-signage