

**General Features**

**Maximum Weight:**

25kg (55lbs)

**Tilt Adjustment:**

ARM  $\pm 5^\circ$  MOUNT  $\pm 20^\circ$

**Roll Adjustment:**

MOUNT  $\pm 5^\circ$

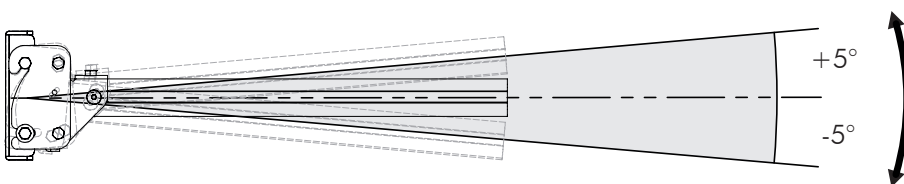
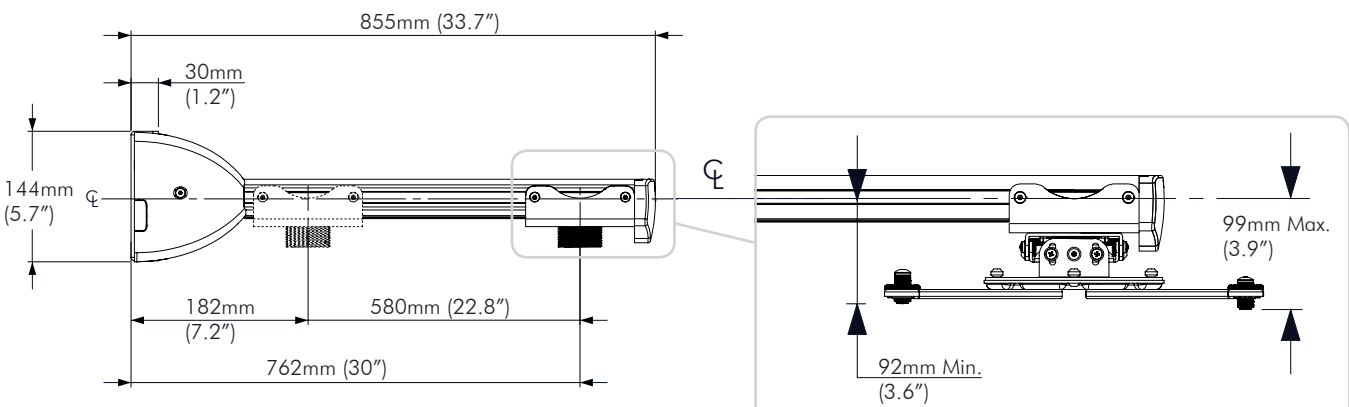
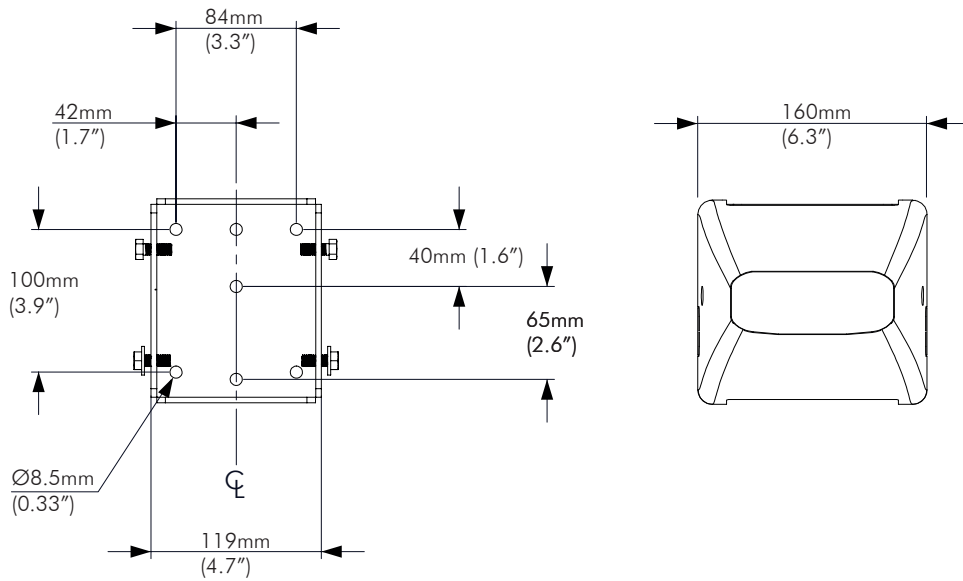
**Color:**

Silver

**Warranty:**

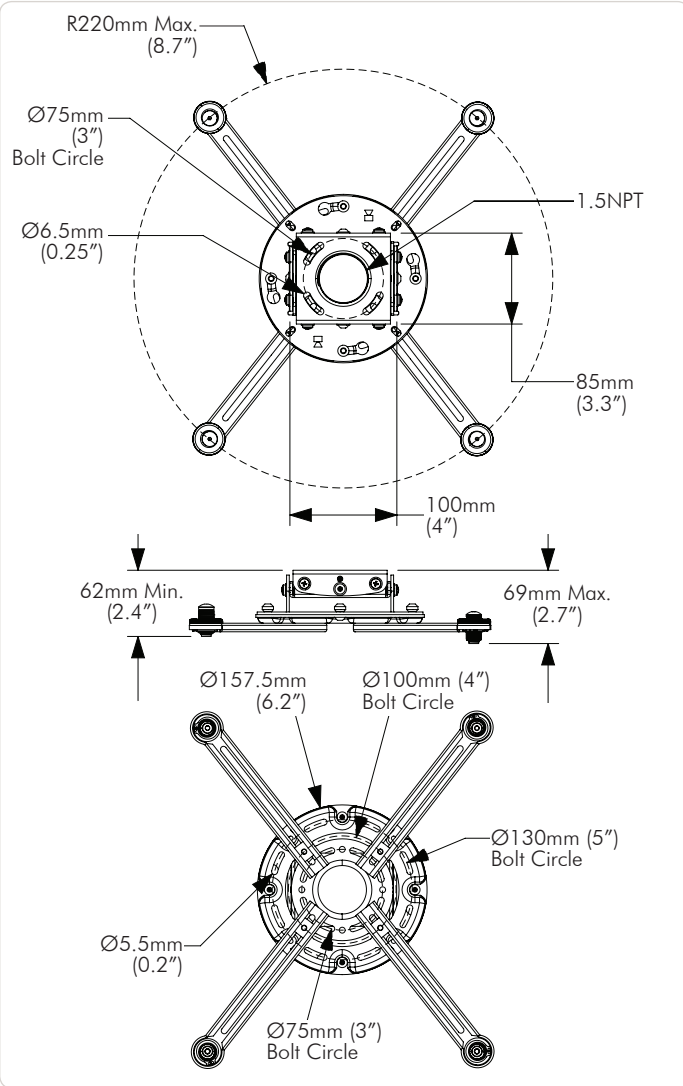
10 years

**Dimensions**

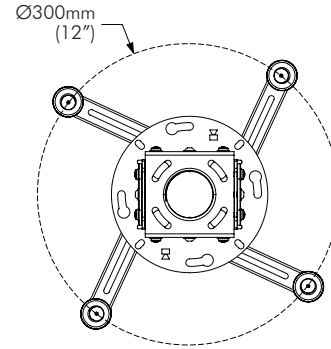


The Support Arm can be adjusted by  $\pm 5^\circ$  to account for wall slope or individual projector characteristics.

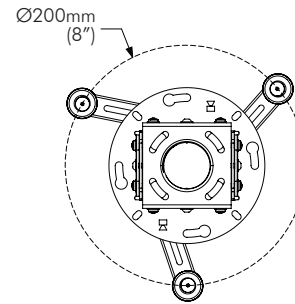
## Dimensions



### 4-LEG MINIMUM DISTANCE:

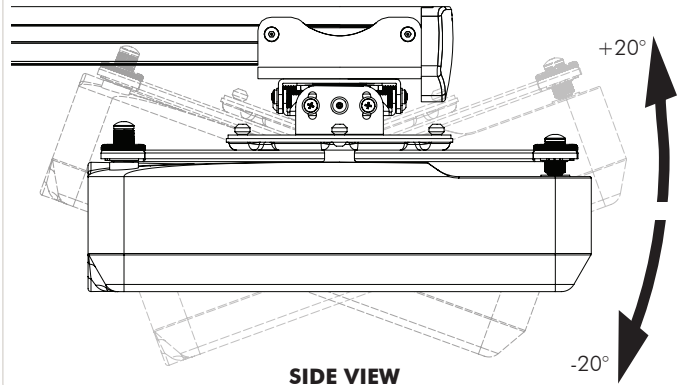


### 3-LEG MINIMUM DISTANCE:

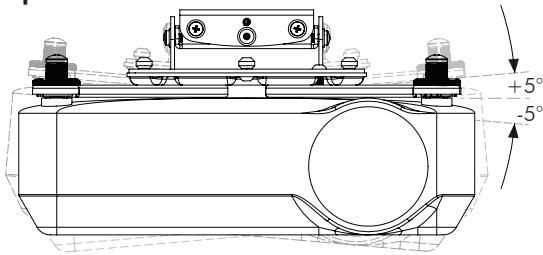


### Tilt Adjustment:

**Note:** Depending on where the projector is mounted along the support arm and if the projector extends from the centre of the mount more than 8"/200mm, the tilt adjustment achievable on the mount may be reduced.



### Roll Adjustment:



FRONT VIEW

SIDE VIEW