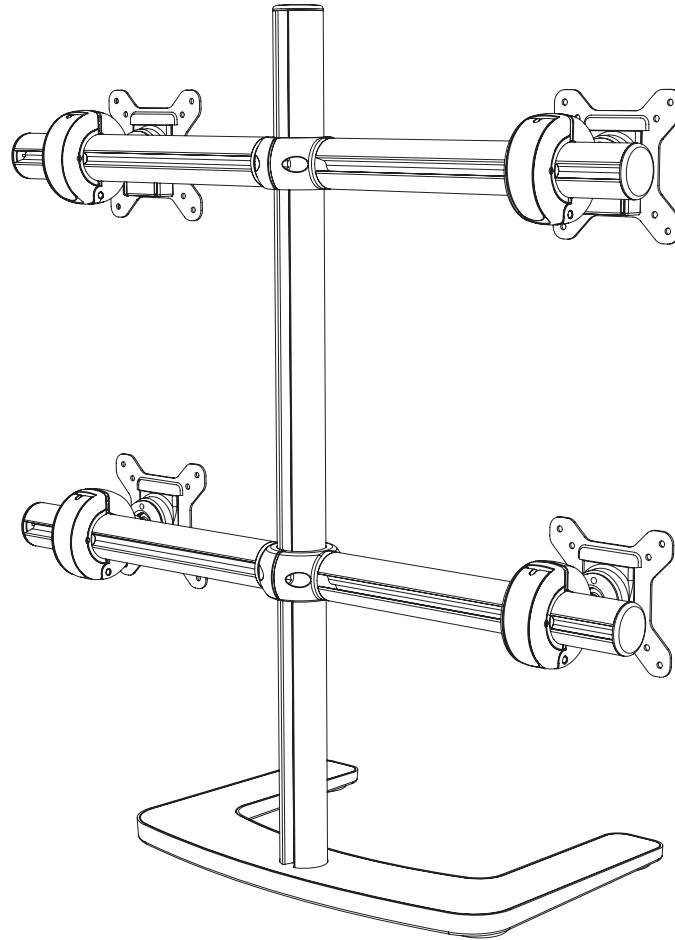


Freestanding Quad Monitor Mount



FEATURES

- Supports two displays up to 32" (see dimensions below to confirm monitor size is suitable for this mount).
- Up to 20° cockpit angle per display for ergonomic viewing and curvature continuous alignment of curved displays (dependent on monitor size).
- Quick display release/attachment mechanism.
- Generous cable management guides cables discreetly down to the work surface.
- Reconfigurable to single, dual or triple solutions
- Compatible with Grommet Clamp (AC-GC) for bolt through or grommet installation.

Display weight

Flat
Curved

per monitor

0-8kg (0 - 17.6lb)*

0-6kg (0 - 13.5lb)*

- 120mm (4.75") max overall monitor depth

- 1kg (2.2lb) maximum weight difference between monitors

Max Vertical Height

736mm (29")

Tilt angle

+/- 20°

VESA mounting

75x75 | 100x100

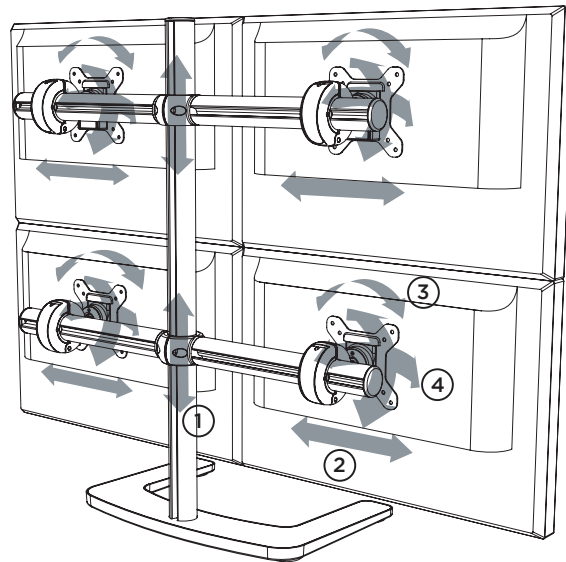
*Curved displays, deep devices (such as all-in-one PCs), VESA mounted accessories (such as mini PC brackets and mounts), and offset VESA locations exert additional leverage that can exceed the capacity of the mount even though the display weight may be within the stated range. Please contact Atdec if you would like further information.

WARRANTY

10 years limited

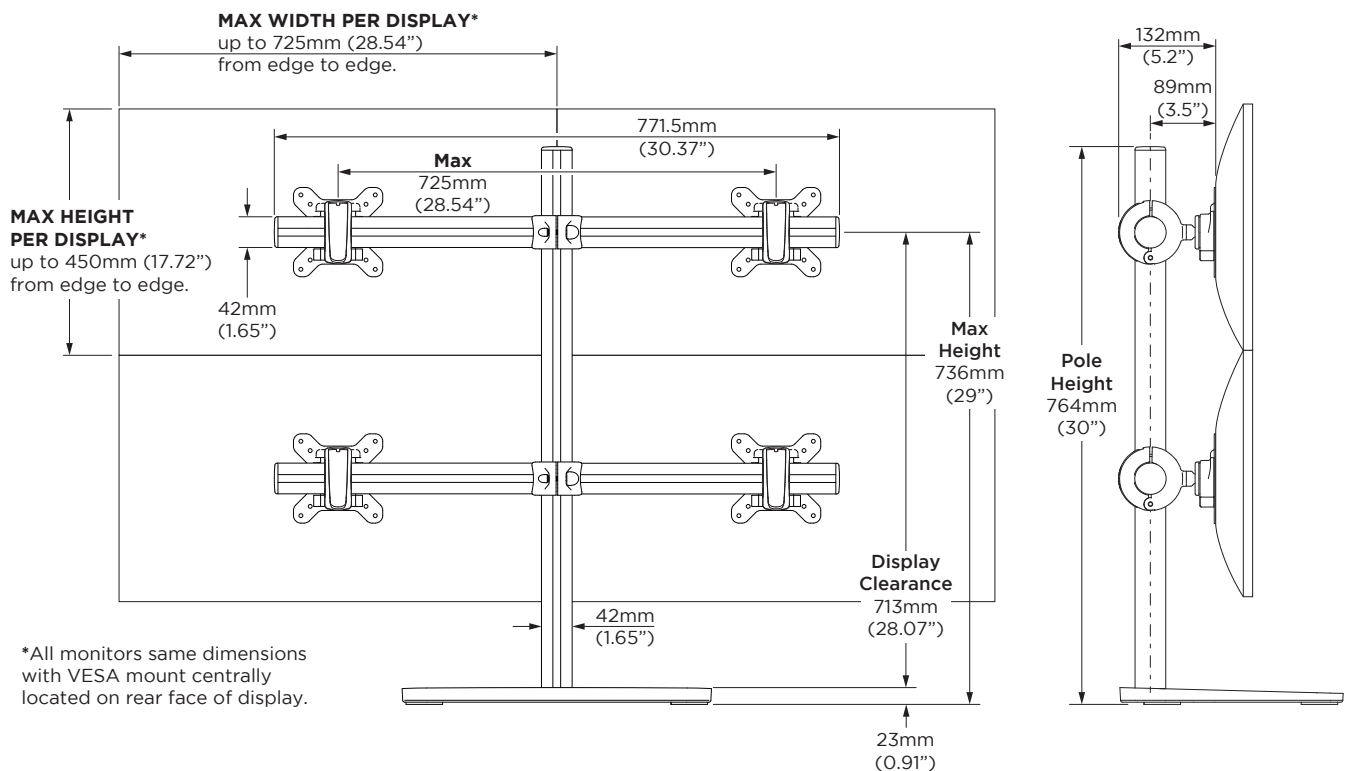
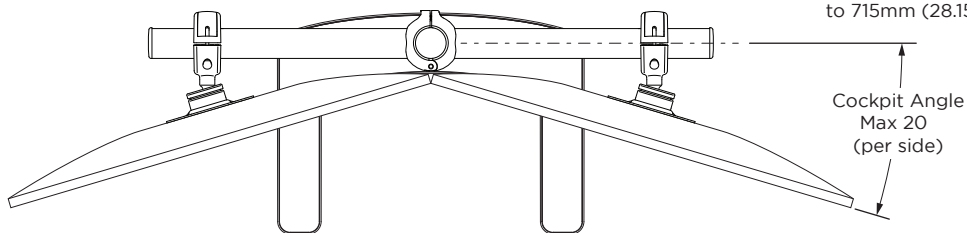
MOVEMENT

1. Vertical height adjustment
2. Horizontal adjustment
3. Landscape to portrait rotation
4. $\pm 20^\circ$ Pan/Tilt adjustment

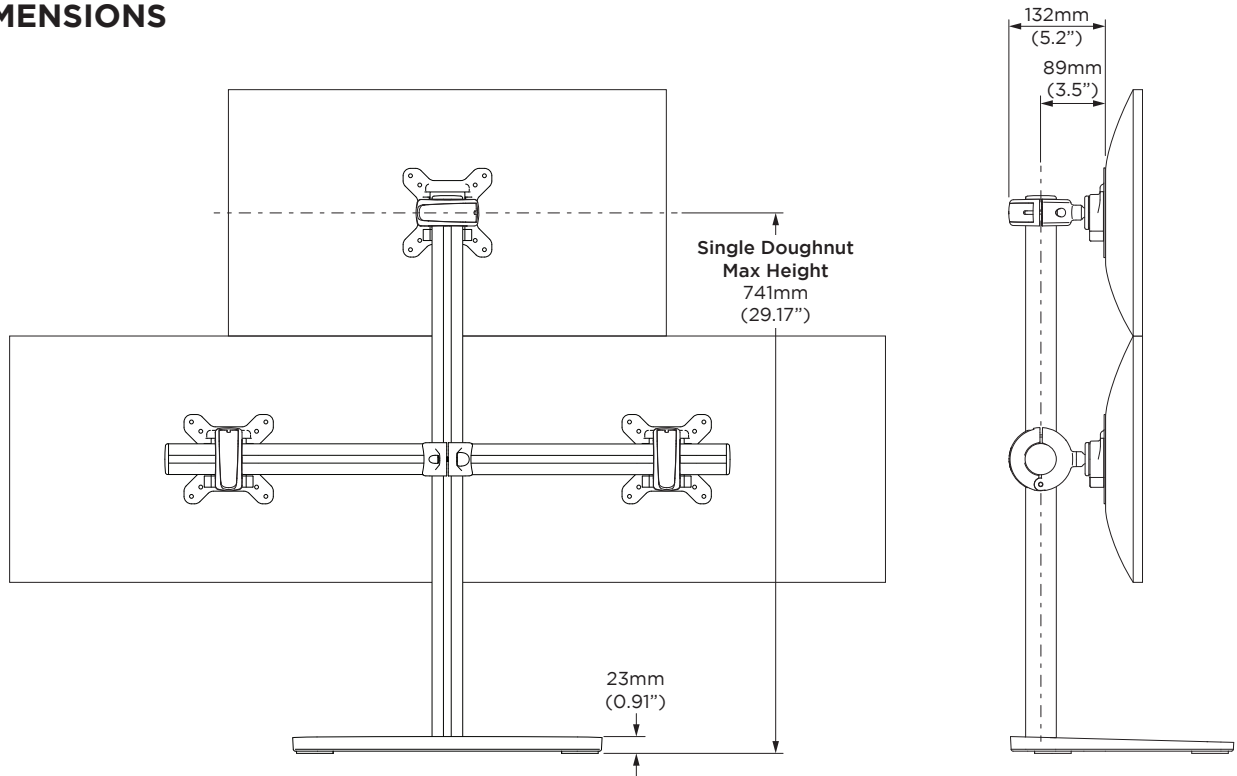


DIMENSIONS

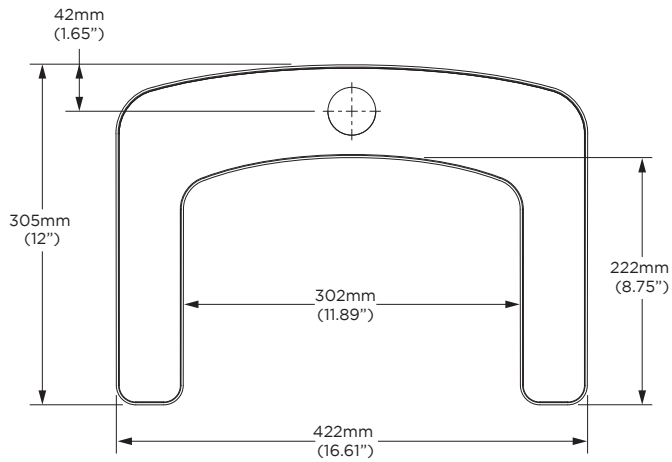
NOTE: 20° Cockpit angle reduces max display width to 715mm (28.15").



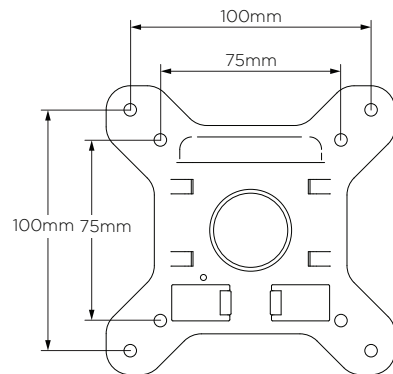
DIMENSIONS



BASE DIMENSIONS



VESA DISPLAY MOUNTING OPTIONS



OPTIONAL CONFIGURATIONS

