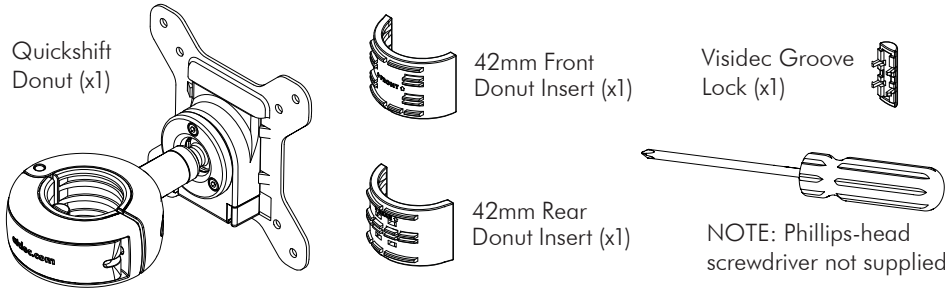


! The Spacedec Display Quickshift Donut is to be used on 42mm and 50mm diameter poles only.
 ! The Manufacturer accepts no responsibility for incorrect installation.

Component Checklist

Check you have received all parts against this Component Checklist prior to installation.



Hardware		Mounting Screws	
	Security Screw (x1) (optional)		M4x10mm Screw (x4)
	3mm Allen Key (x1)		M4x12mm Screw (x4)
	5mm Allen Key (x1)		M4x16mm Screw (x4)

Step 1. Install Quickshift Donut

Select your correct product configuration: A, B, or C.

A. Use this configuration with a **standard 50mm pole**
(No inserts required)

B. Use this configuration with a **Visidec 42mm extrusion pole**

C. Use this configuration with a **standard 42mm pole**

OR **OR**

Note: Ensure inserts are fitted in correct orientation.

Arrows point to top surface

Slide the Quickshift Donut onto the pole (with the lever open), removing the End Cap if necessary. Rear groove insert must align with slot in the Pole.

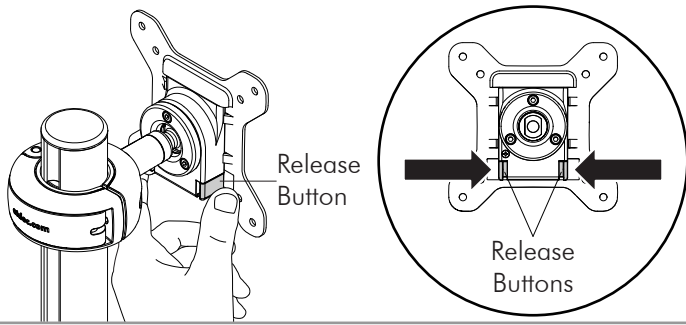
Slide the Quickshift Donut into the desired position. If necessary, adjust the tension between the Quickshift Donut and the Pole using the 5mm Allen Key supplied.

WARNING: Be careful not to overtighten

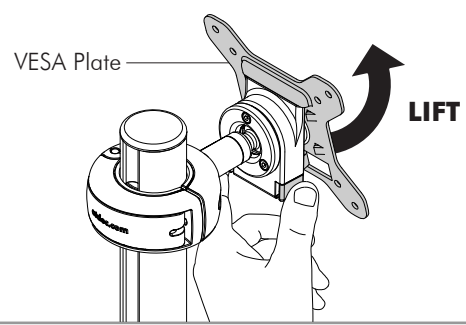
Once in place, close the lever to lock the Quickshift Donut in the desired position.

Step 2. Remove VESA plate from Quickshift Donut

Press and hold the Release Buttons (one on either side).



Whilst holding the Release Buttons, remove the VESA Plate.



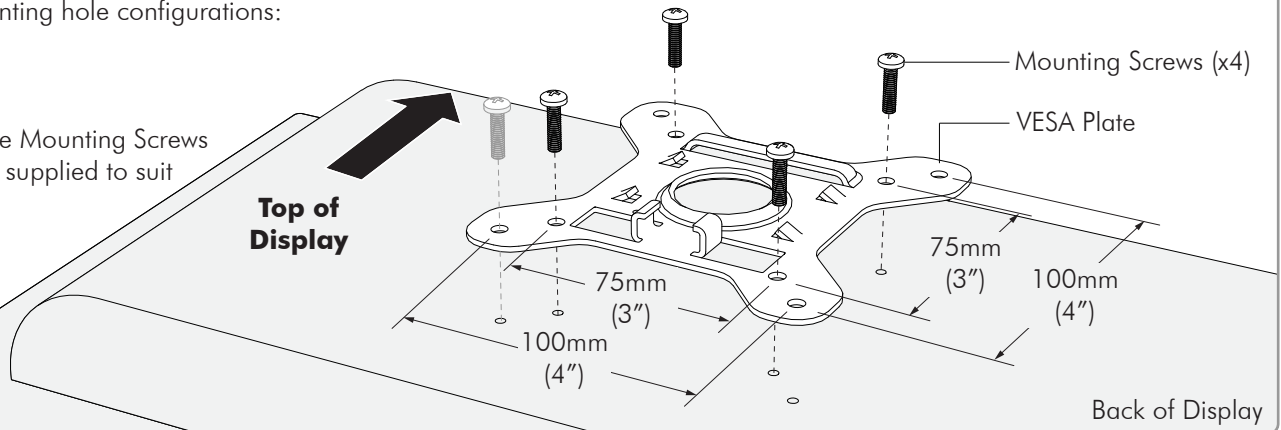
Step 3. Attach the VESA plate to your Display

There are two mounting hole configurations:

- 75 x 75mm
- 100 x 100mm

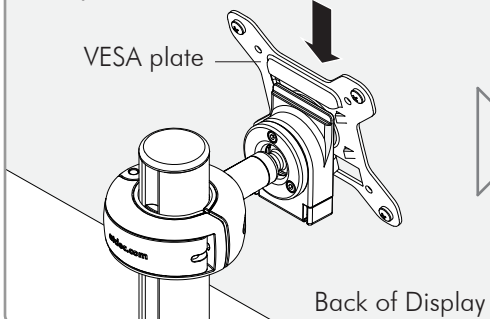
Choose appropriate Mounting Screws from the Hardware supplied to suit your Display.

Top of Display

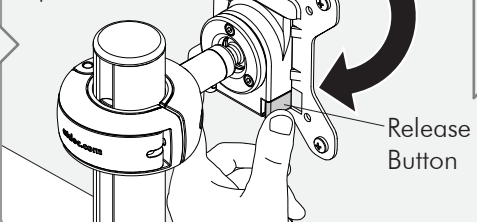


Step 4. Attach your Display to the Quickshift Donut

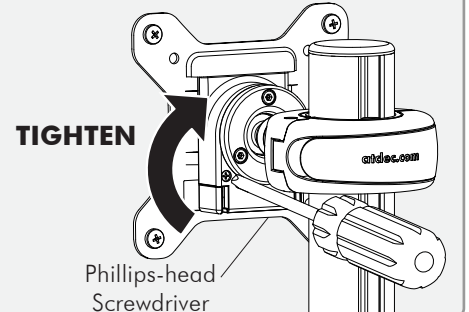
Hook the top of the VESA plate onto the Quickshift Mount.



Press and hold the Release Buttons. Gently insert bottom of VESA Plate into Quickshift Mount. Release Buttons to lock in place.



(optional) Insert the Security Screw, and tighten using a Phillips-head Screwdriver.



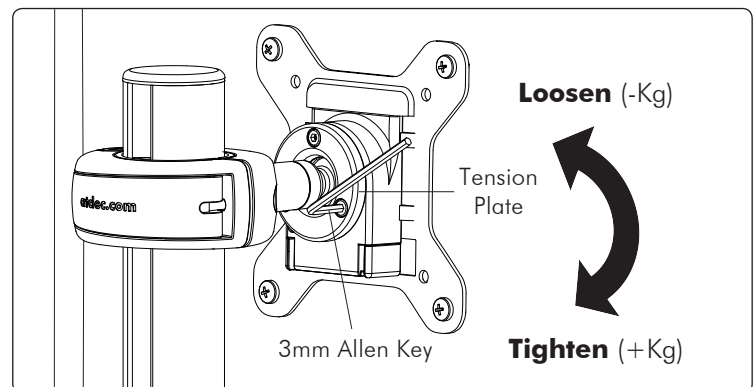
Step 5. Adjusting the VESA Ball Mount

Position your Display to the desired viewing angle, using the 40° angular movement allowed by the VESA Ball Mount.

Depending on the weight of the display, it may be necessary to make adjustments to the VESA Ball Mount. If the display does not hold its position, or is too resistant, adjust the Tension Plate located at the rear of the VESA Ball Mount (see diagram right).

To make any adjustments tension evenly using the 3mm Allen Key supplied. Apply half a turn at a time to each screw on the Tension Plate to adjust evenly.

Check the display, and then adjust again if necessary.



Installation Complete