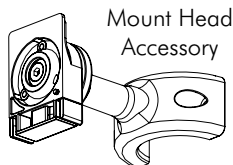
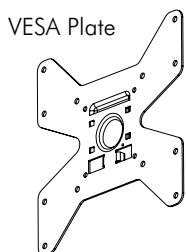


Back to Back Accessory for TH-1040-CTS and TH-1040-CTL

Component Checklist



Hardware



Security Screw (optional)



M6/8 Spacer (x4)



M4/5 Washer (x4)



5mm/3mm Allen Keys (x1 each)



M4/5 Spacer (x4)

Display Mounting Screws



M5x16/25mm (x4 each)



M4x16/25mm (x4 each)



M6x16/30mm (x4 each)

NOTE: Phillips-head screwdriver not supplied

IMPORTANT INFORMATION:

! IMPORTANT - Install 1040 Back to Back Accessory as per Installation Instructions.

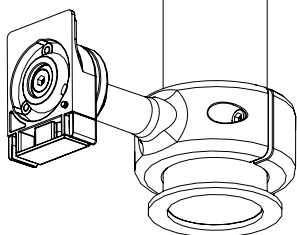
! This product is to be installed in conjunction with TH-1040-CTS and TH-1040-CTL Ceiling Mounts only.

! The manufacturer accepts no responsibility for incorrect installation.

Step 1. Check Components

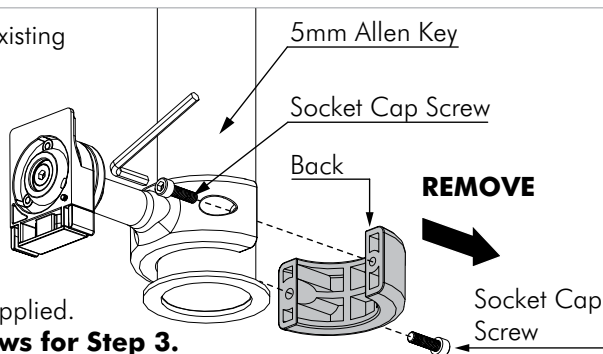
Check you have received all parts against the Component Checklist and Hardware above.

Step 2. Remove Back of Existing Mount Head



Fully installed TH-1040-CTS or TH-1040-CTL (VESA Plate removed).

Remove back half of the existing Mount Head by removing Socket Cap Screws (x2).

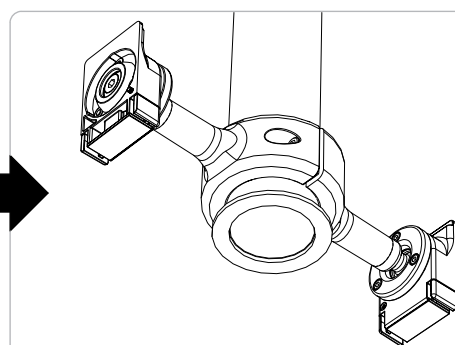
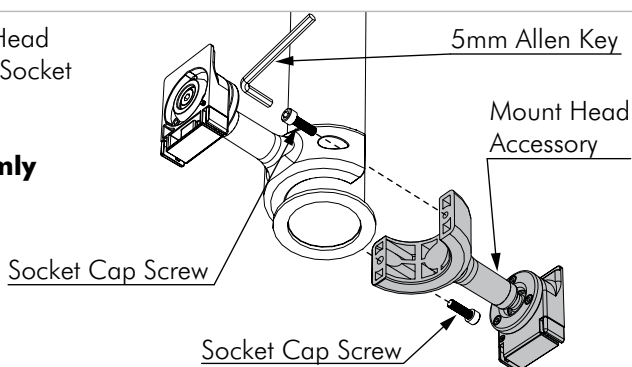


Use the 5mm Allen Key supplied. **Keep Socket Cap Screws for Step 3.**

Step 3. Install Mount Head Accessory

Attach the Mount Head Accessory with the Socket Cap Screws (x2).

Tighten screws **firmly** and **equally**.



Installation Complete

Refer to TH-1040-CTS/TH-1040-CTL Installation Instructions, Step 8. Attach VESA Plate to Display.