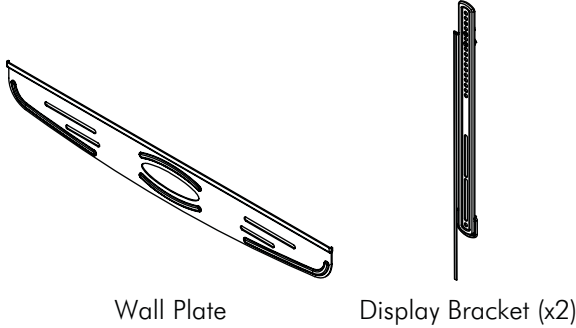
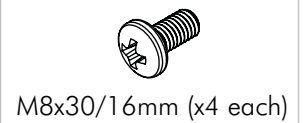
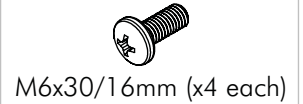
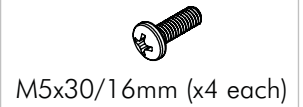
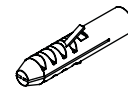
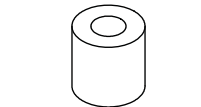
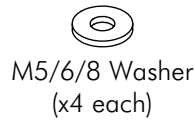
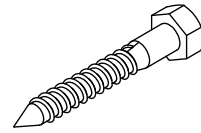


### Components Checklist



### Hardware



### Display Mounting Screws

### Tools Required:

- Power Drill
- 6mm (1/4") drill bit
- Phillips Head screwdriver
- 10mm (3/8") masonry drill bit
- Large Flat Head Screw Driver
- 13mm (1/2") Socket Wrench or Shifter
- 10mm (3/8") drill bit
- Spirit Level

### IMPORTANT INFORMATION

**! IMPORTANT - Install 3060 Wall Mount as per Installation Instructions.**

- ! This product supports a maximum load of 65kg (143.3lbs).
- ! This product supports displays with mounting hole configurations from 100mm (4") to 500mm (19 1/2") high, and from 200mm (8") to 810mm (32") wide.
- ! The manufacturer does not accept responsibility for incorrect installation.
- ! Before installing this product, please check the display ventilation requirements with your LED/LCD manufacturer.

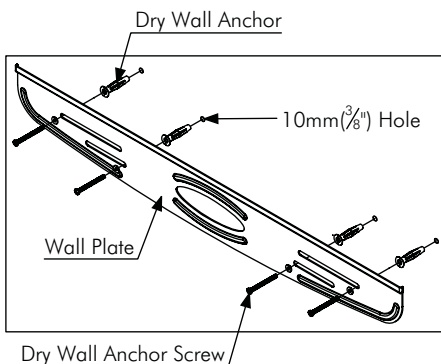
### Step 1. Check Components

Check you have received all parts against the component checklist and Hardware above.

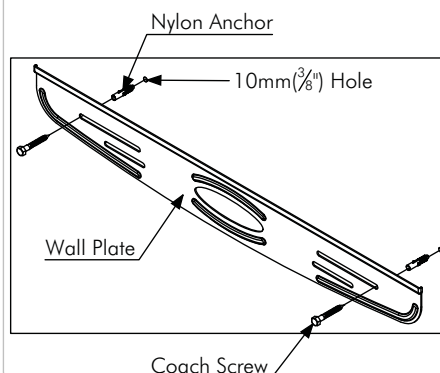
### Step 2. Mounting the Wall Plate

#### Dry Wall

**Note:** Each Dry Wall anchor should be at a maximum distance from the next anchor point. This is the recommended mounting pattern for Dry Wall Anchors.

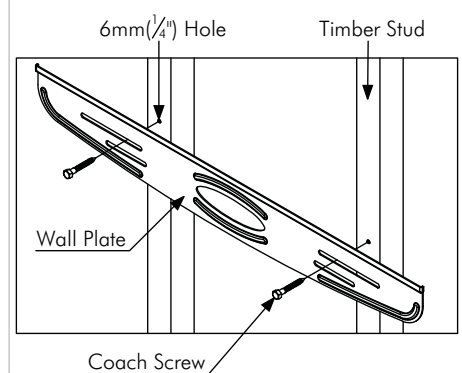


#### Masonry Wall



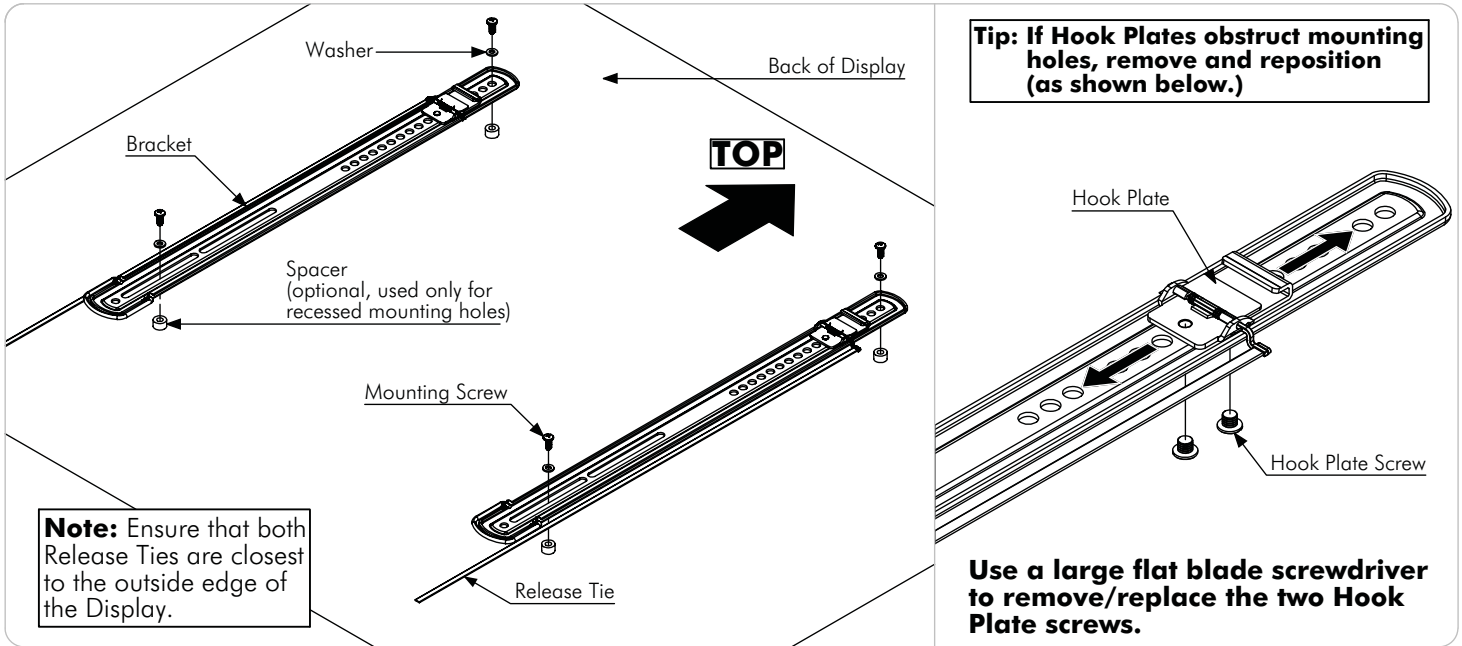
#### Timber Stud

**Note:** Use a stud finder to accurately locate the centre of the stud. Ensure that all two screws fix securely into the stud.



**Tip: Use a spirit level to ensure wall plate is horizontal.**

### Step 3. Attaching Brackets to Display

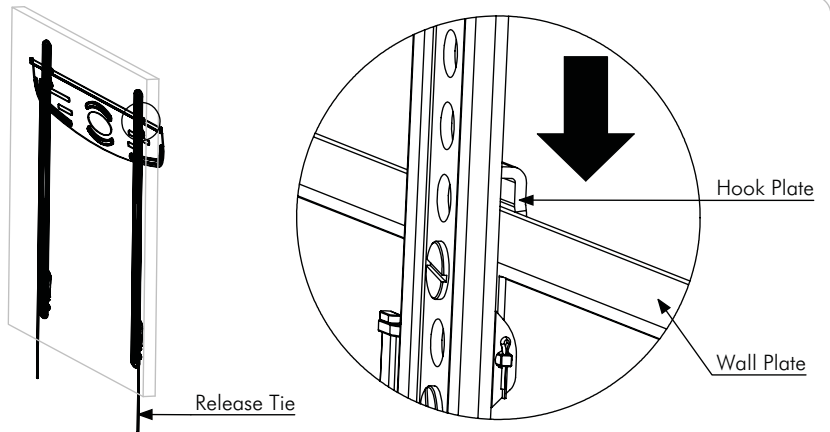


### Step 4. Attaching/Detaching Display to Wall Plate (2 people required)

**With the Brackets attached to the Display, lower the Hook Plates onto the Wall plate. Listen for "CLICK" to ensure the catch has engaged.**

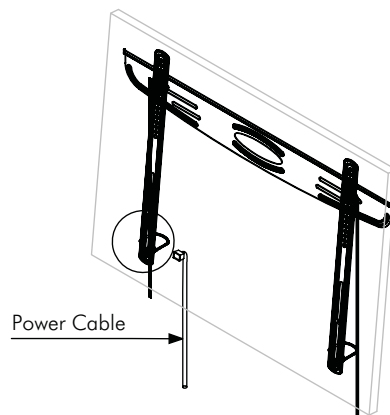
**Slide Display to desired position.**

**Detaching Display from Wall Plate:**  
To detach Display from wall plate, pull and hold Release Ties to disengage locking mechanism. Then lift the Display to unhook from the wall plate.

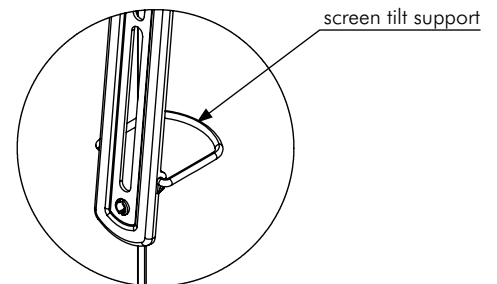


### Step 5. Cable Management

**Note:** To access cable ports, fold out screen tilt supports.



**Fold Tilt Supports back once all cables have been installed.**



**Cut Release Ties so that they cannot be seen from front of screen.**

### Installation Complete