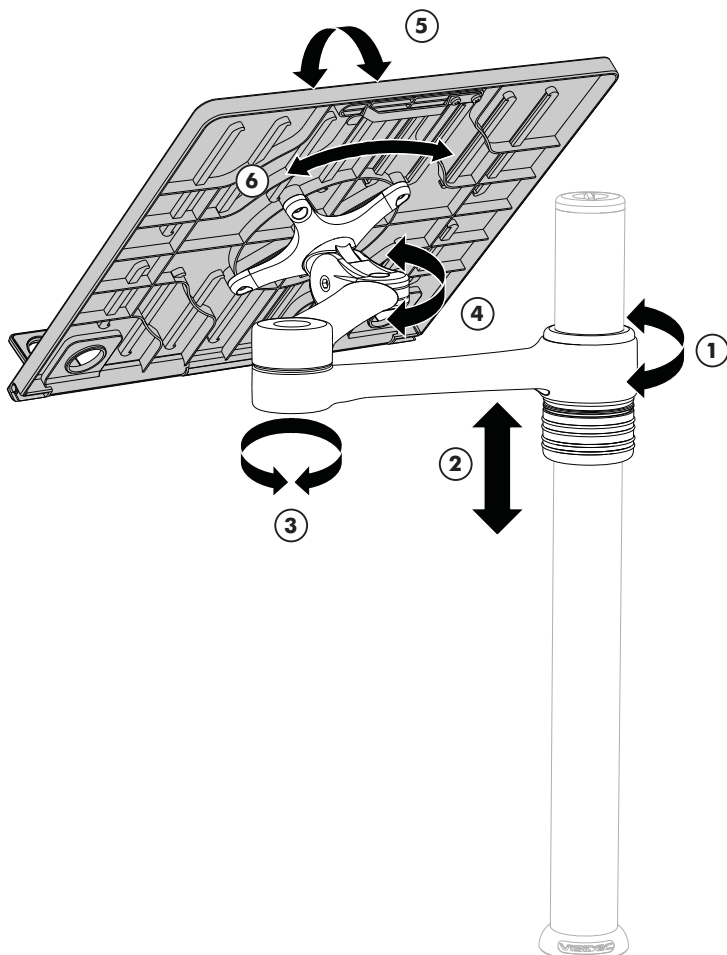


General Features



- ① 360° rotation around mounting pole
- ② 340mm (13.37") height adjustment range
- ③ 360° articulation of arms
- ④ 180° pan adjustment
- ⑤ 25° tilt adjustment range
- ⑥ ±5° horizontal adjustment

Max Load:

Max. 8kg (17.5lbs)

Notebook Compatibility:

Notebook Mount supports Notebooks up to 18"

Mounting Options:

Focus Notebook Mount Accessory to be used in conjunction with pole products:

- VF-AT
- VF-AT-D
- VF-AT-M

Included Hardware:

All fasteners and mounting hardware is included

Colours:

Polished Silver

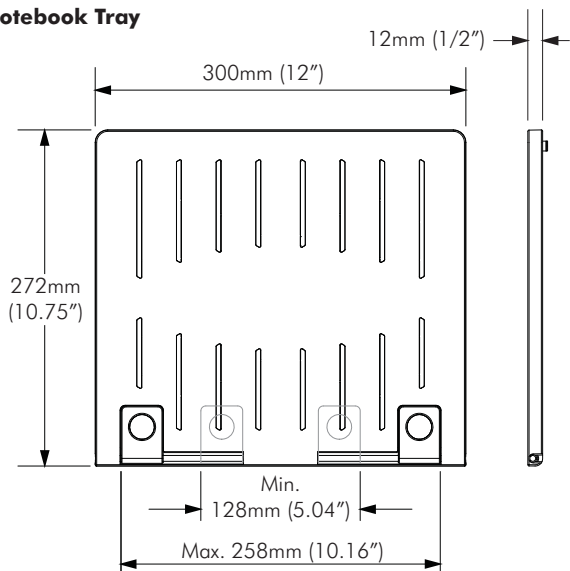
Warranty:

10 years limited.

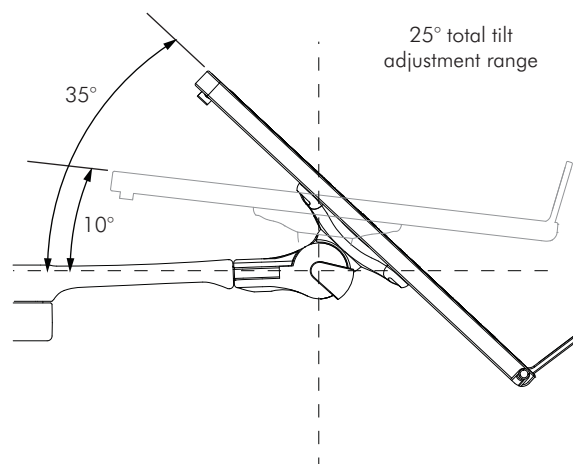
Note: Pole not included.

Dimensions

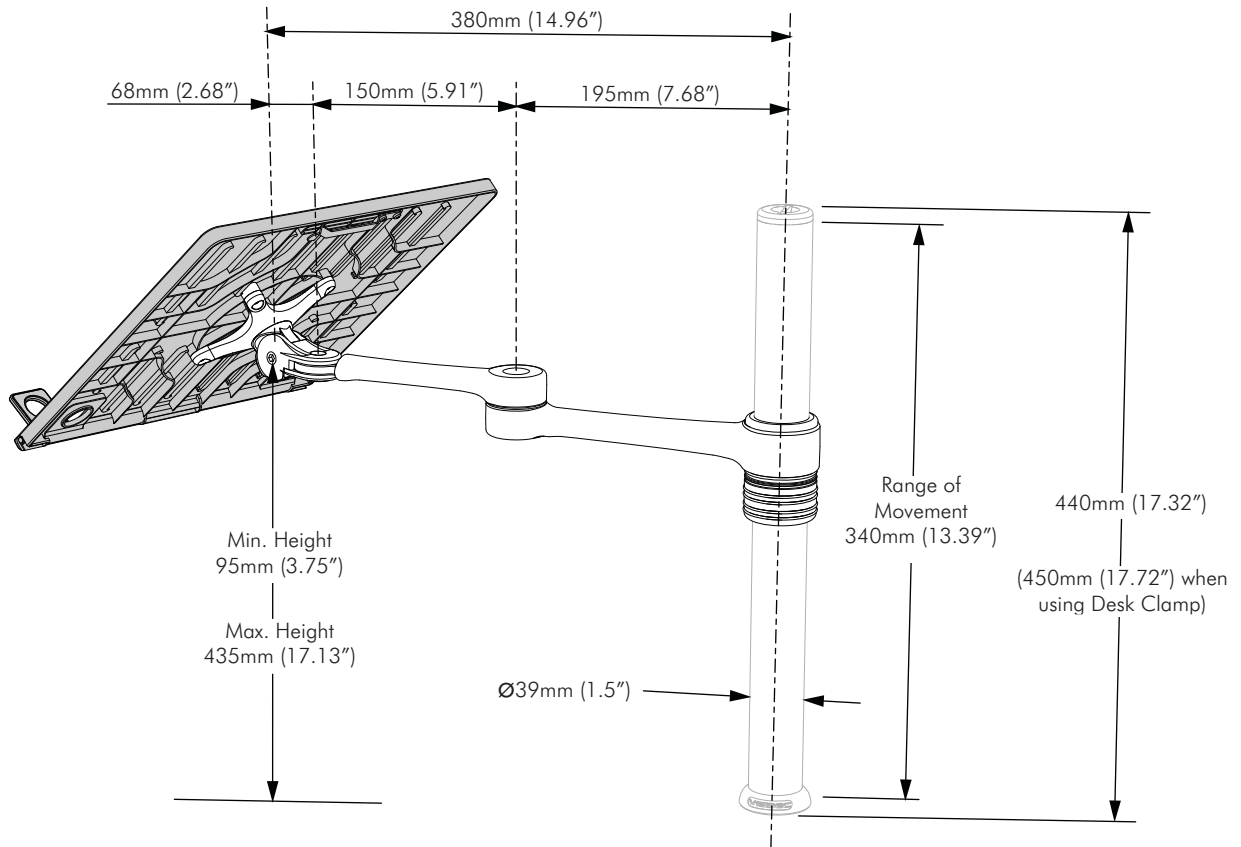
Notebook Tray



Side View



Overall Dimensions



Note: Pole not included.