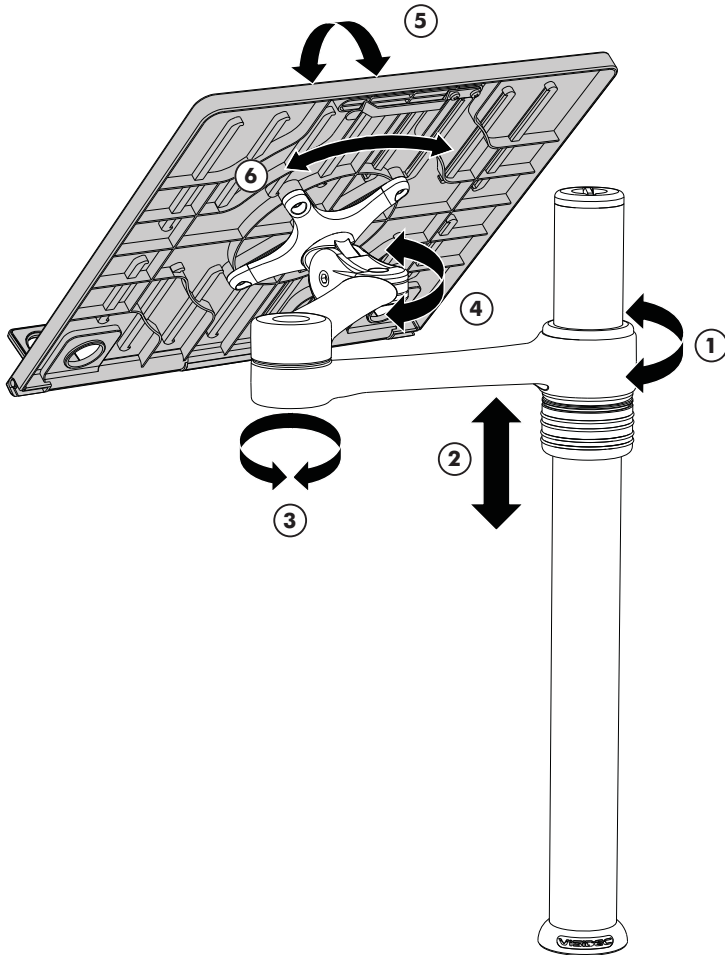


**General Features**



- ① 360° rotation around mounting pole
- ② 340mm (13.37") height adjustment range
- ③ 360° articulation of arms
- ④ 180° pan adjustment
- ⑤ 25° tilt adjustment range
- ⑥ ±5° horizontal adjustment

**Max Load:**  
 Max. 8kg (17.5lbs)

**Notebook Compatibility:**  
 Notebook Mount supports Notebooks up to 18"

- Mounting Options:**  
 Focus includes Bolt Through and Desk Clamp mounting options.
- Desk clamp  
 Suits desktop thicknesses of 0mm-99mm (0"-3.9")
  - Bolt Through  
 Suits desktop thicknesses of 12mm-40mm (0.5"-1.5")

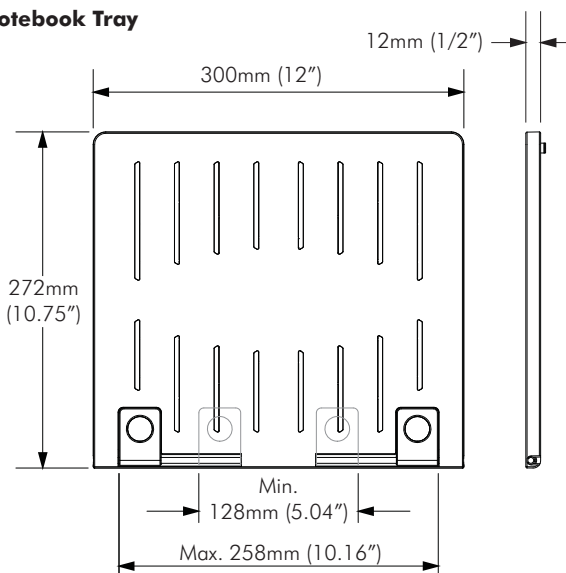
**Included Hardware:**  
 All fasteners and mounting hardware is included

**Colours:**  
 Polished Silver

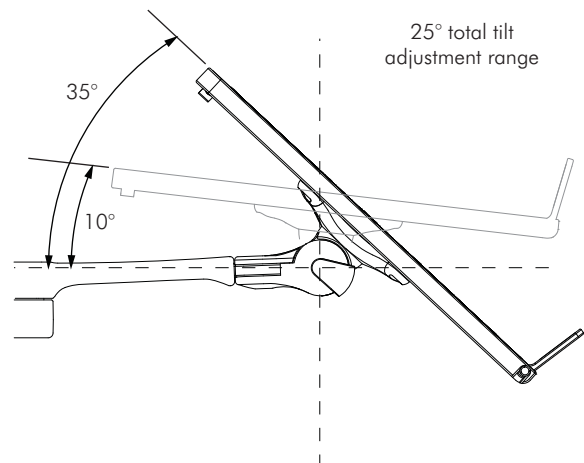
**Warranty:**  
 10 years limited.

**Dimensions**

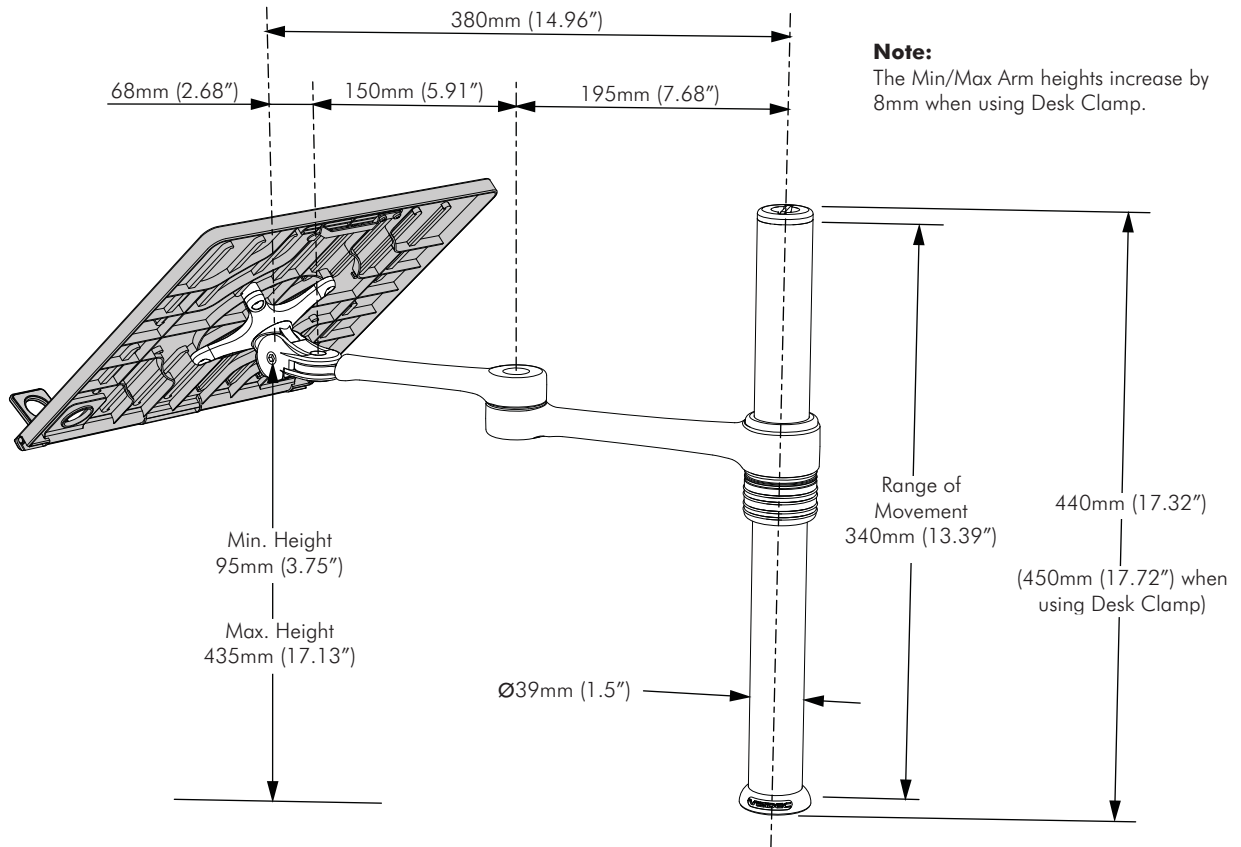
**Notebook Tray**



**Side View**



## Overall Dimensions



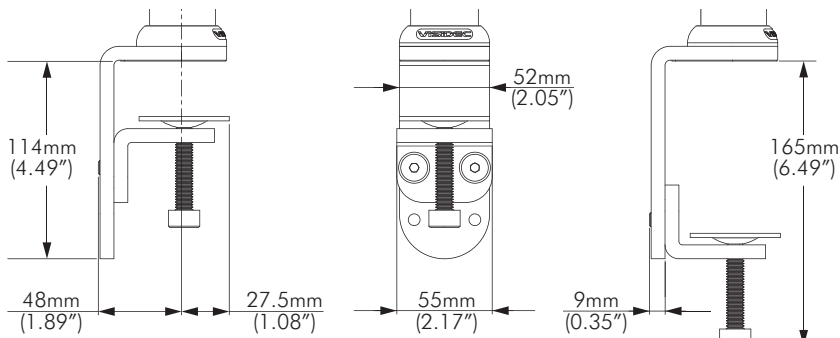
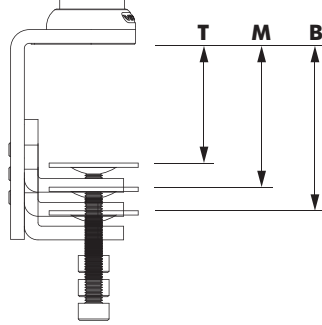
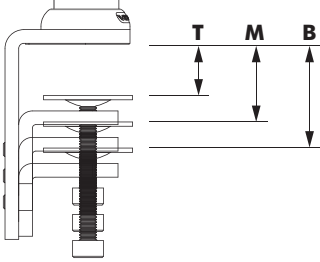
## Desk Mounting Options

### Desk Clamp

Desk clamp suits the following thicknesses of **0mm-99mm (0"-3.9")**

**Top** 0 - 32mm (default)  
**Middle** 7 - 47mm  
**Bottom** 22 - 62mm

**Top** 29 - 69mm  
**Middle** 43 - 84mm  
**Bottom** 59 - 99mm



### Bolt Through

Bolt Through suits desktop thicknesses of **12mm-40mm (0.5"-1.5")**

