



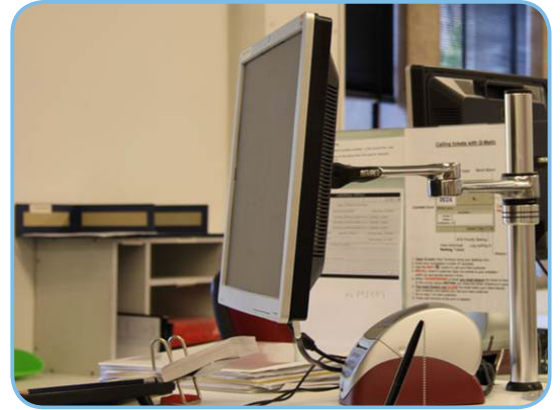
ATDEC **Infinite Mounting Possibilities**

Focus | Desk monitor arm VF-AT

The Focus VF-AT is the ideal ergonomic and space saving desk mount for any home or office. Its elegant design and polished aluminium finish add style and functionality to any workspace. The broad range of movement from the pivot points on the arm and height adjustability create a workspace customisable for any user in any position. The screen can be pulled out 413mm (16.25") for the ideal focal length and rotated 360° around the pole. The optimum viewing angle can also be achieved with a 70° up and 70° down tilt, and pan of 180°. Versatility extends to monitor choice, thanks to our FlexiStar™ mechanism that allows two different mounting hole patterns. Cables are cleverly managed for a clean look and to reduce clutter.

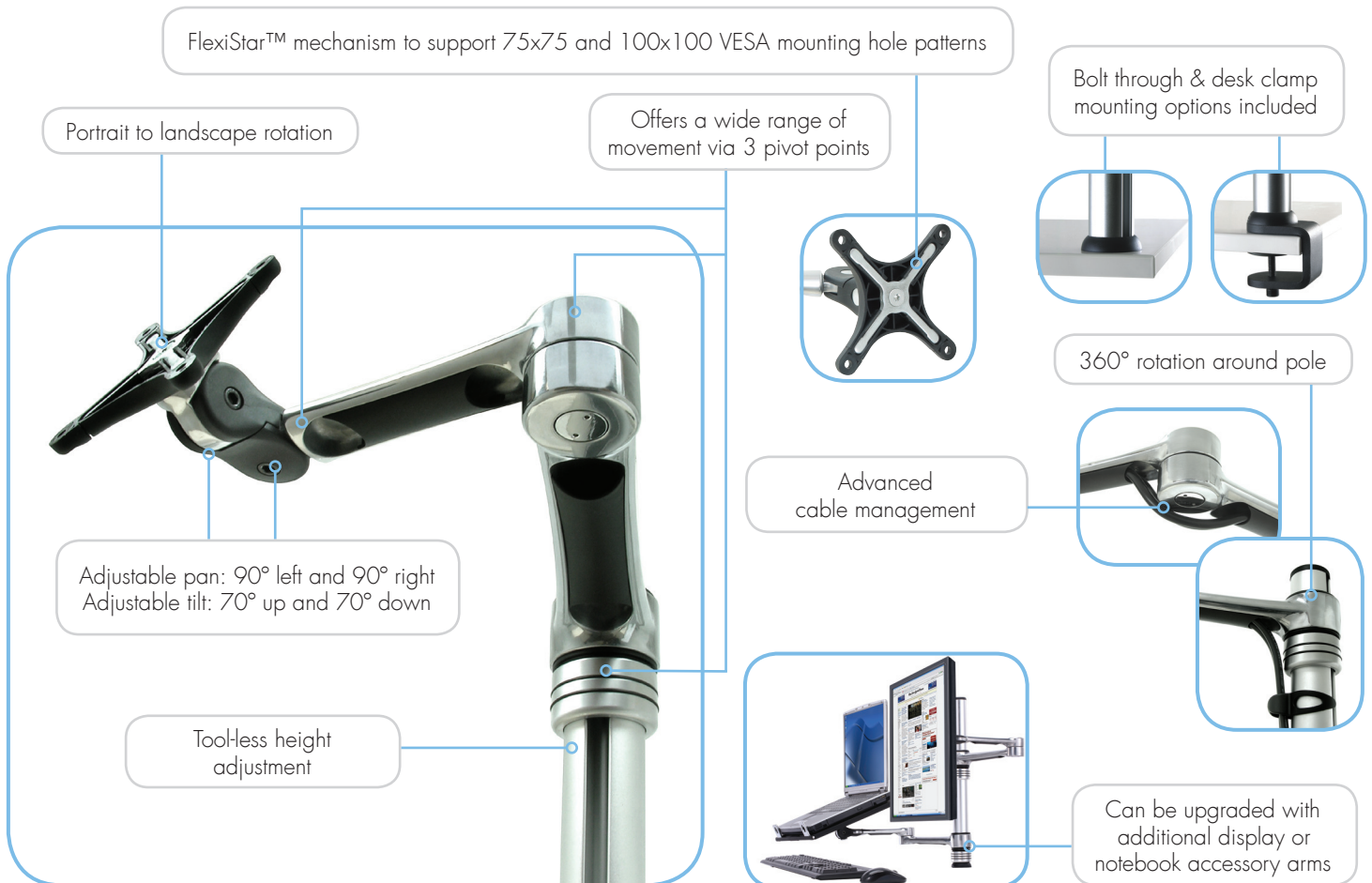
 Mounting hole pattern: 75x75mm & 100x100mm mounting (100x200mm optional)*

 Maximum weight carrying capacity: 8kg (17.5lbs)



Product key features:

- ✕ Sleek and contemporary design
- ✕ Durable materials (die-cast anodised aluminium pole and polished aluminium arm)
- ✕ Pole height: 430mm (17.3")
- ✕ Arm maximum reach: 413mm (16.25")
- ✕ Choice of desk mounting options
- ✕ Comes with all mounting hardware
- ✕ Can be upgraded with additional display or notebook accessory arms



Product information

Product Code	Load capacity	Material	Colour
VF-AT	One display up to 8kg (17.5lbs)	Aluminum	Polished Aluminum

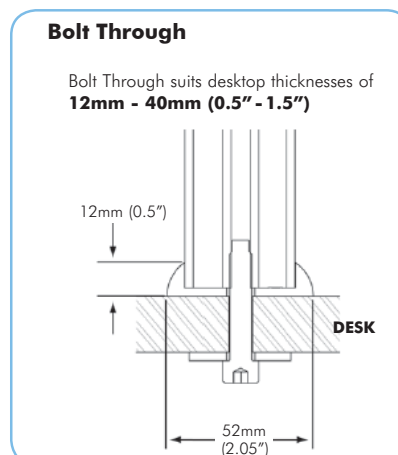
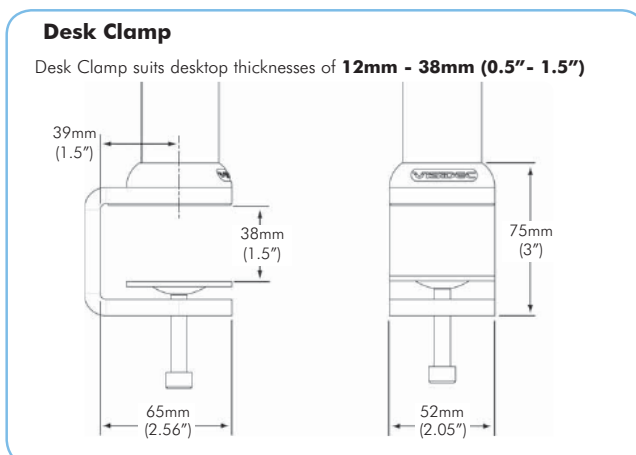
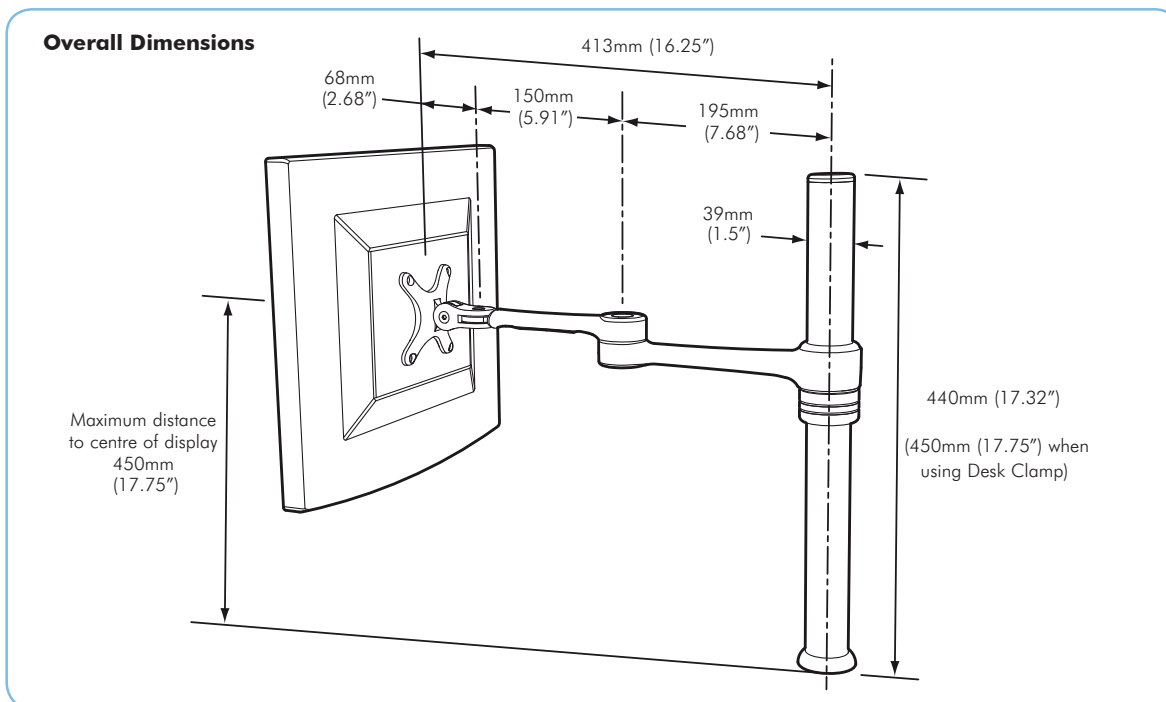
Package information, single unit

Size (L x W x H)	Ship weight	UPC code	Contents
50cm x 20cm x 10cm (19.75" x 7.75" x 3.75")	2.6kg (5.4lbs)	881493004337	All hardware required for installation supplied

Package information, master pack

Size (L x W x H)	Ship weight	UPC code	Units per master pack
62cm x 56cm x 22cm (24" x 20" x 9")	17kg (35.6lbs)	881493002661	6

Technical drawings



Atdec mounts are designed, developed and tested in Australia. We manufacture an extensive range of display and projector mountings for a variety of user types and situations. While all efforts have been made to ensure the information in this brochure was correct as of the date of printing, we reserve the right to change specifications without notice. Please refer to the website for our full range along with the latest details on specifications, compatibility and dealer location. Atdec and Visidtec are registered trademarks with all rights reserved. Copyright July 2012.