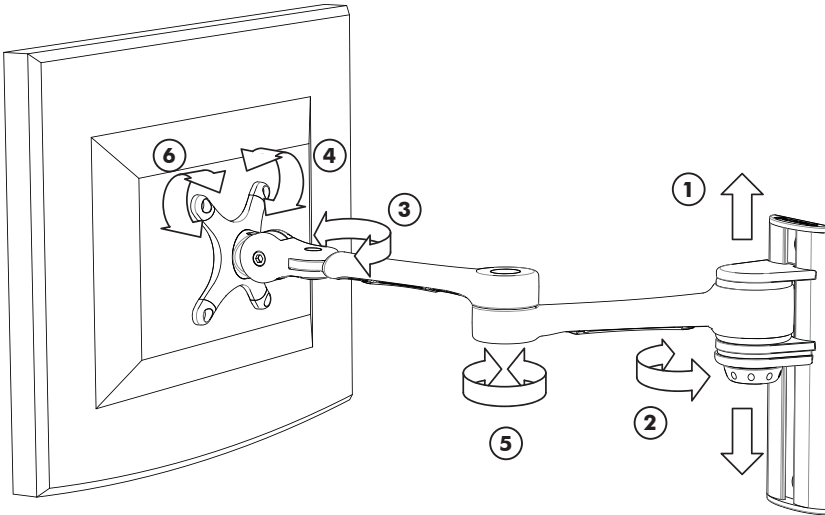


General Features

- ① Vertical Adjustment 128mm (5")
- ② Rotation 180°
- ③ Pan 180°
- ④ Portrait/Landscape Adjustment
- ⑤ Rotation 360°
- ⑥ Tilt ±70°



Display Compatibility:

Suits displays from 12" (30cm) to 24" (61cm)

Display Weight Compatibility:

Max. 8kg (17.5lbs)

Display Mounting Options:

Suits 75mm x 75mm to
100mm x 100mm mounting hole patterns

Colours:

Polished Arm with Matte Silver Wall Plate

Warranty:

10 years limited.

Overall Dimensions

